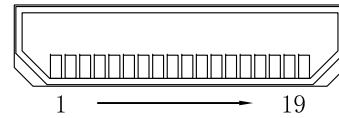
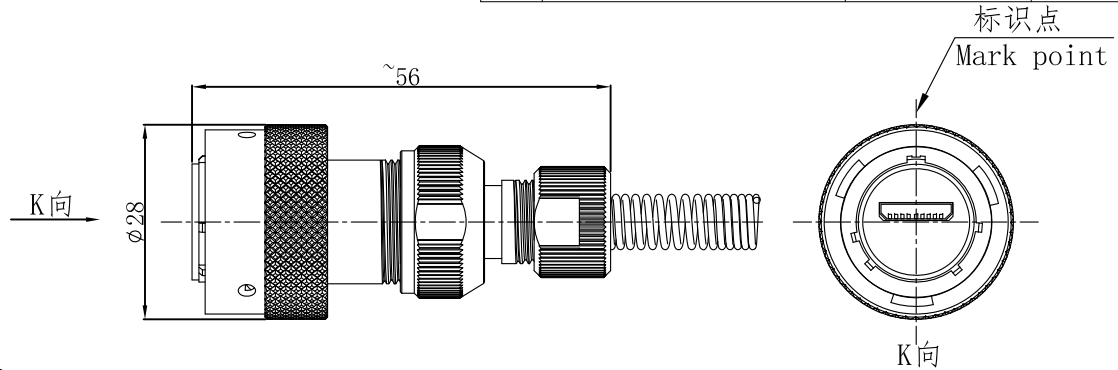


1) Product main performance/产品主要性能指标:
 Operating Temperature/工作温度: $-55^{\circ}\text{C} \sim 125^{\circ}\text{C}$
 Relative humidity/相对湿度: $90\% \sim 95\% (40 \pm 2^{\circ}\text{C})$
 Working voltage/工作电压: 5V
 Working current/工作电流: 50mA
 Insulation resistance/绝缘电阻: $5000\text{M}\Omega$
 Data transmission performance/数据传输性能:
 Mini HDMI: 4.5GB/s
 Cable/配接电缆: $\phi 9.0\text{mm} - \phi 10.0\text{mm}$

2) Mechanical data/机械特性:
 Connection type/连接方式: Bayonet connection/卡口连接
 Vibration/振动: $10 \sim 2000\text{Hz } 147\text{m/s}^2$
 Shock Resistance/冲击: 490m/s^2
 Salt Spray Corrosion/盐雾: 96hr
 Endurance (Shell)/机械寿命: 500

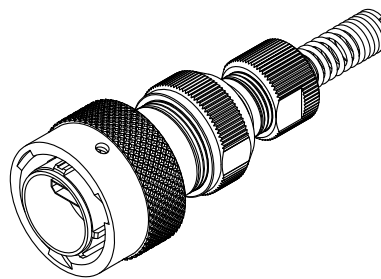
3) Other Specification/其它规格:
 Housing Material/外壳材质: Aluminum alloy electroless plating dark nickel/铝合金镀化学哑镍
 Other metal spare parts/其余金属件: Aluminum alloy nickel plating/铝合金镀镍
 Spring material/弹簧材质: SUS316 / 不锈钢316
 Sealing ring material/密封圈材质: Red silicone rubber/红色硅橡胶
 IP Rating/防护等级: IP68(Interpolation state/插合状态)
 *ALL MATERIALS ARE RoHS COMPLIANT/所有材料均符合RoHS要求


REV/版本	DESCRIPTION/变更内容	DATE/日期	DRAWN BY/绘图
A2	修正接线定义	2023.02.04	PD05
A3	“暗镍”改成“哑镍”	2024.07.19	Z02



View k
K向孔位排列

HDMI Pin definition/HDMI引脚定义	
1	TMDS Data 2 Shield
2	TMDS Data 2+
3	TMDS Data 2-
4	TMDS Data Shield
5	TMDS Data +
6	TMDS Data -
7	TMDS Data 0 Shield
8	TMDS Data 0+
9	TMDS Data 0-
10	TMDS Clock Shield
11	TMDS Clock +
12	TMDS Clock -
13	DDC/CEC Ground
14	CEC
15	SCL
16	SDA
17	Reserved (N.C)
18	+5V Power
19	Hot plug Detect



TOLERANCES UNLESS OTHERWISE SPECIFIED: 未标注尺寸公差:		THIRD ANGLE PROJECTION		Product name/产品名称	
.x ± 0.5	x.' ± 1.0	SIZE: A4	UNITS: mm	插头/Plug HDMI C Type	
.xx ± 0.2	.x' ± 0.5	SCALE: 1: 1	SHEET: 1 OF 1		
DRAWN BY: 绘图: Z02		DATE/日期: 2024.07.19		QM NO 料号: YW110Fm09S-01 ($\phi 10$)	REV/ 版本:
CHECKED BY: 审核: PD05		DATE/日期: 2024.07.19		DRAWING NO 图号:	A3
APPROVED BY: 核准: PD03		DATE/日期: 2024.07.19		CUSTOMER NO 客户料号:	
 QM(Quanna) Connector Shenzhen Co. LTD 深圳市全马连接器有限公司					