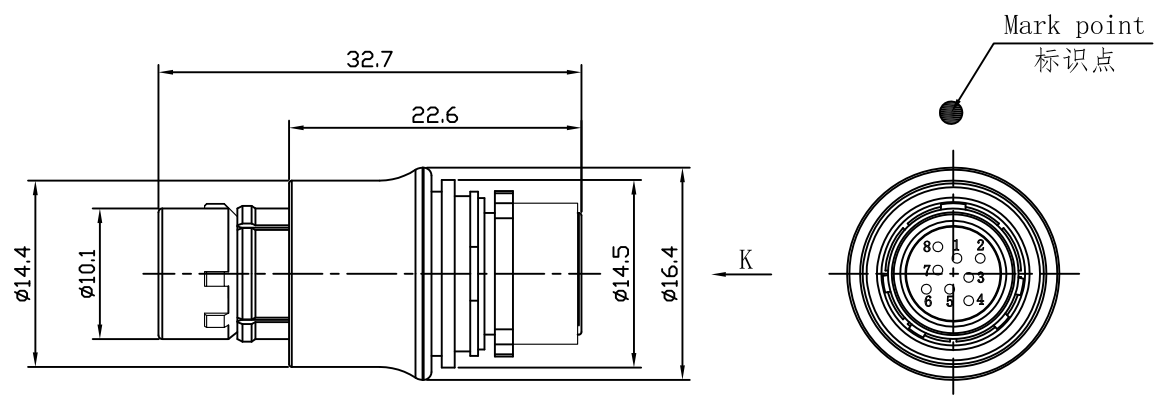


REV/版本	DESCRIPTION/变更内容	DATE/日期	DRAWN BY/绘图

1) Product main performance/产品主要性能指标:

- Operating Temperature/工作温度: -55°C~200°C
- Humidity(max)/最大潮湿: <=95% [at 60 deg C / 140 F]
- Shielding /屏蔽性能: 55dB(1GHz)
- Salt Spray Corrosion/盐雾: 96hr
- P op (max)/最大环境压力: 60 bar (870 psi)
- Insert Configuration/针芯配置: 8芯 接点代码: 056
- Pin Size/接触件直径: $\phi 0.5\text{mm}$
- R (Max)/接触电阻: $\leq 15\text{m}\Omega$
- Differential transmission rate/差分传输速率: 250Mbps
- Insulation resistance/绝缘电阻: 5000M Ω
- Withstand voltage/耐电压: 750V
- Rated Current/额定电流: 1.8A
- Cable AWG/配接电缆规格: $\phi 6.1-\phi 8.0\text{mm}/26\text{AWG}$

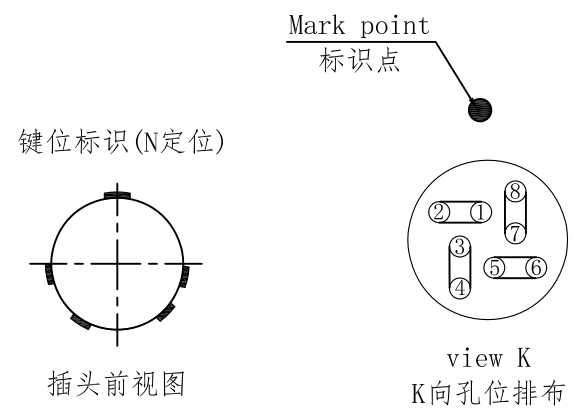


2) Mechanical data/机械特性:

- Vibration/振动: 1.0G²/Hz, 均方根值36.6G, $\leq 1\mu\text{s}$ 瞬断
- Shock Resistance/冲击: 加速度2940m/s², $\leq 1\mu\text{s}$ 瞬断
- Endurance (Shell)/机械寿命: 5000+

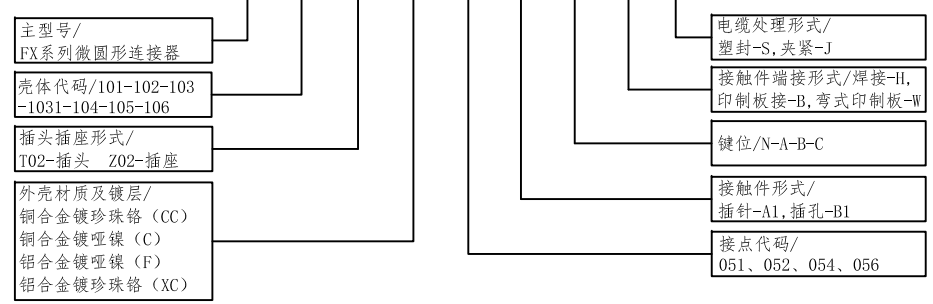
3) Other Specification/其它规格:

- Contact PIN/接触件: Gold plated Tin bronze/锡青铜镀金
- Housing Material/外壳材质: Dark nickel plated aluminium/铝合金镀哑镍
- Other metal spare parts/其余金属件: Nickel plated brass/铜镀镍
- Insulator material/绝缘材料: PEEK
- IP Rating/防护等级: IP68(2m水深24h) 插合状态
- *ALL MATERIALS ARE RoHS COMPLIANT/所有材料均符合RoHS要求



孔位	信号定义
1	DATA1+
2	DATA1-
3	DATA2+
4	DATA2-
5	DATA3+
6	DATA3-
7	DATA4+
8	DATA4-

型号命名 → FX·1031·T02·F·056·A1·N-H·S



TOLERANCES UNLESS OTHERWISE SPECIFIED: 未标注尺寸公差: ± 0.1 未标注角度公差: $\pm 0.5^\circ$	FIRST ANGLE PROJECTION	Product name/产品名称 FX1031 Plug FX1031直式插头
	SIZE: A4 UNITS: mm SCALE: 1: 1 SHEET: 1 OF 1	
DRAWN BY: 绘图: Pd04	DATE/日期: 2022-04-03	QW NO 料号: FX1031T02F056A1N-HS
CHECKED BY: 审核: Pd02	DATE/日期: 2022-04-03	DRAWING NO 图号: CUSTOMER NO 客户料号: REV/版本: A1
APPROVED BY: 核准: Pd02	DATE/日期: 2022-04-03	 QM (Quanma) Connector Shenzhen Co. LTD 深圳市全马连接器有限公司