

REV/版本	DESCRIPTION/变更内容	DATE/日期	DRAWN BY/绘图
A2	增加孔位排列数字标识	2022-02-10	Pd04

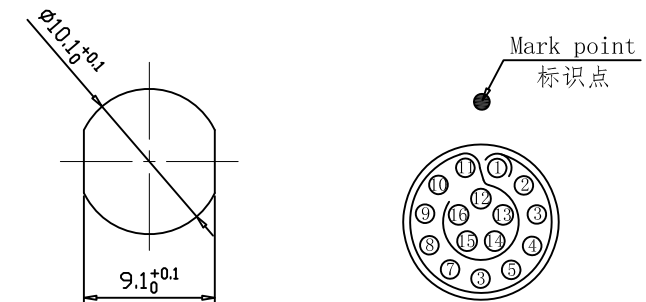
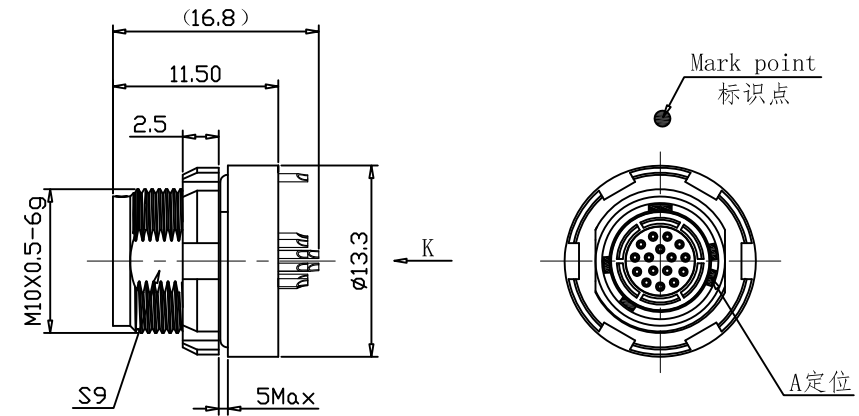
### 1) Product main performance/产品主要性能指标:

Operating Temperature/工作温度:  $-55^{\circ}\text{C} \sim 125^{\circ}\text{C}$   
Humidity(max)/最大潮湿:  $\leq 95\%$  [at 60 deg C / 140 F]  
Shielding /屏蔽性能: 75dB(10MHz) 40dB(1GHz)  
Salt Spray Corrosion/盐雾: 96hr  
P op (max)/最大环境压力: 60 bar (870 psi)  
Insert Configuration/针芯配置: 0G.316 16Low Voltage  
Pin Size/接触件直径:  $\phi 0.3\text{mm}$   
R (Max)/接触电阻:  $\leq 20\text{m}\Omega$   
Insulation resistance/绝缘电阻: 5000M $\Omega$   
Withstand voltage/耐电压: 500V  
Rated Current/额定电流: 1.0A  
Cable AWG/电缆规格: 16\*28AWG  
Endurance (Shell)/机械寿命: 5000+

### 3) Other Specification/其它规格:


Contact PIN/接触件: Gold plated Tin bronze/锡青铜镀金  
Housing Material/外壳材质: Gun color plated brass/铜镀枪色  
Nut、screw/螺母、螺丝: Gun color plated brass/铜镀枪色  
Other metal spare parts/其余金属件: Gold plated brass/铜镀金  
Insulator material/绝缘材料: PPS  
IP Rating/防护等级: IP68(头座插合)

\*ALL MATERIALS ARE RoHS COMPLIANT/所有材料均符合RoHS要求



Panel cut-outs  
建议安装开孔尺寸

View k  
K向孔位排列

TOLERANCES UNLESS OTHERWISE SPECIFIED: 未标注尺寸公差: $\pm 0.1$ 未标注角度公差: $\pm 0.5^{\circ}$	First ANGLE PROJECTION	Product name/产品名称	
	SIZE: A4 UNITS: mm	0G-ZLA固定式插座	
	SCALE: 1: 1 SHEET: 1 OF 1	QW NO 料号	REV/ 版本
DRAWN BY: 绘图:	DATE/日期:	ZLA. 0G. 316. GLL	
CHECKED BY: 审核:	DATE/日期:	DRAWING NO 图号	A2
APPROVED BY: 核准:	DATE/日期:	CUSTOMER NO 客户料号	
		 QM (Quanma) Connector Shenzhen Co. LTD 深圳市全马连接器有限公司	