

REV/版本	DESCRIPTION/变更内容	DATE/日期	DRAWN BY/绘图

1) Product main performance/产品主要性能指标:

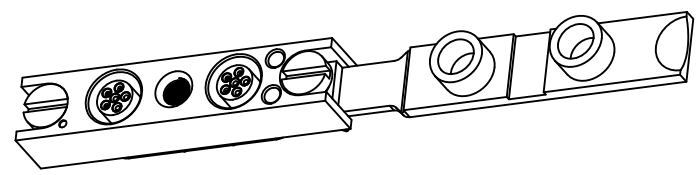
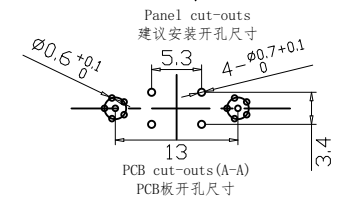
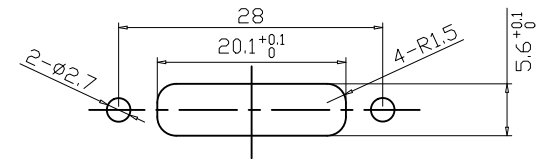
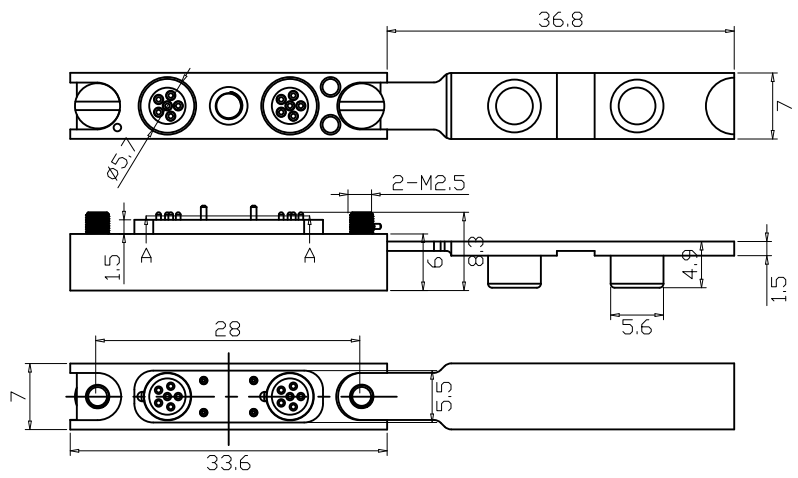
Operating Temperature/工作温度: -55°C~200°C  
 Humidity(max)/最大潮湿: <=95% [at 60 deg C / 140 F]  
 Shielding /屏蔽性能: 75dB(10MHz) 40dB(1GHz)  
 Salt Spray Corrosion/盐雾: 96hr  
 P op (max)/最大环境压力: 60 bar (870 psi)  
 Insert Configuration/针芯配置: TJ60 306+306 12Low Voltage  
 Pin Size/接触件直径:  $\phi 0.5\text{mm}$   
 R (Max)/接触电阻:  $\leq 15\text{m}\Omega$   
 Insulation resistance/绝缘电阻:  $5000\text{M}\Omega$  (测试电压500V(DC))  
 Withstand voltage/耐电压: 1000V(AC)  
 Rated Current/额定电流: 2A

2) Mechanical data/机械特性:

Vibration/振动: 15g[10Hz~2000Hz]  
 Shock Resistance/冲击: 100g[6ms]  
 Endurance (Shell)/机械寿命: 1000

3) Other Specification/其它规格:

Contact PIN/接触件: Tin bronze plating/锡青铜镀金  
 Housing Material/外壳材质: Nickel-plated aluminum alloy/铝合金镀亚镍  
 Other metal spare parts/其余金属件: SUS316  
 Insulator material/绝缘材料: PPS  
 IP Rating/防护等级: IP68(插合状态)  
 \*ALL MATERIALS ARE RoHS COMPLIANT/所有材料均符合RoHS要求



TOLERANCES UNLESS OTHERWISE SPECIFIED: 未标注尺寸公差: $\pm 0.1$ 未标注角度公差: $\pm 0.5^\circ$	First ANGLE PROJECTION	Product name/产品名称 插座/Socket
	SIZE: A4 UNITS: mm SCALE: 2: 1 SHEET: 1 OF 1	
DRAWN BY: 绘图: pd03	DATE/日期: 2023. 11. 17	QM NO 料号 TJ60-N6S6SZB
CHECKED BY: 审核: pd04	DATE/日期: 2023. 11. 17	DRAWING NO 图号
APPROVED BY: 核准: pd02	DATE/日期: 2023. 11. 17	CUSTOMER NO 客户料号
		 QM(Quanna) Connector System Shenzhen Co. LTD 深圳市全马连接器有限公司