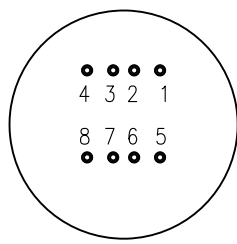
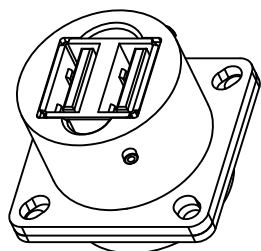
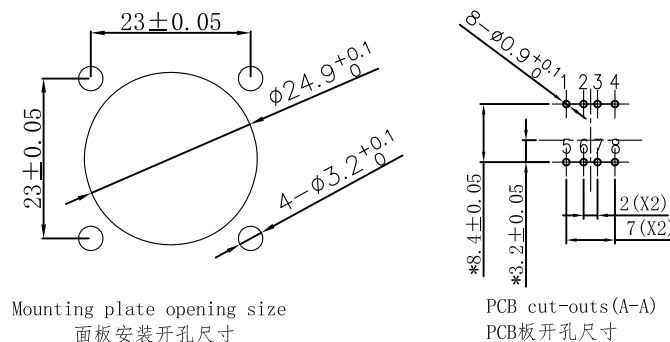
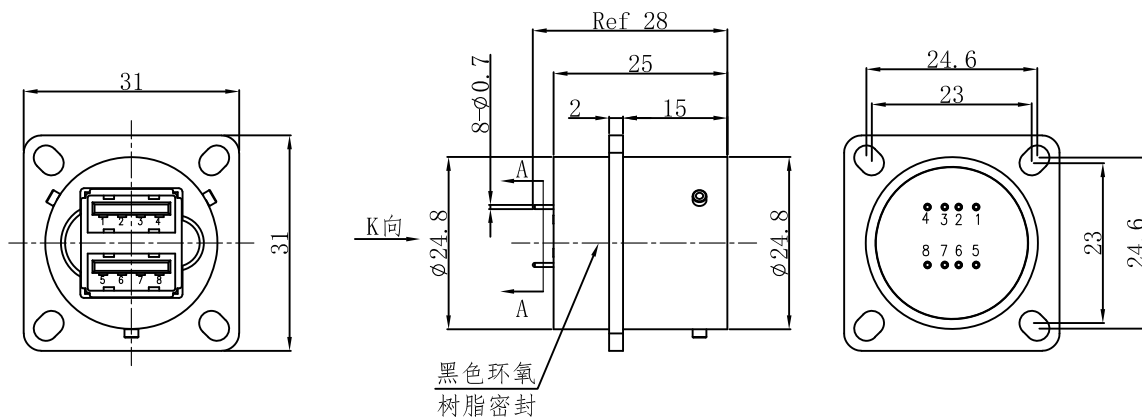


1) Product main performance/产品主要性能指标:
 Operating Temperature/工作温度: $-55^{\circ}\text{C}\sim 125^{\circ}\text{C}$
 Relative humidity/相对湿度: 90%~95% ($40\pm 2^{\circ}\text{C}$)
 Working voltage/工作电压: 30V DC
 Working current/工作电流: 1.5A
 Insulation resistance/绝缘电阻: 1000M Ω
 Withstand voltage/耐电压: 500V AC
 Contact resistance/接触电阻: $\leq 30\text{m}\Omega$
 Data transmission performance/数据传输性能:
 USB2.0: 480Mbps (60MB/s)

2) Mechanical data/机械特性:
 Vibration/振动: $10\sim 2000\text{Hz}$ 147m/s²
 Shock Resistance/冲击: 490m/s²
 Salt Spray Corrosion/盐雾: 96hr
 Endurance (Shell)/机械寿命: 500

3) Other Specification/其它规格:
 Contact PIN/接触件: bronze plating/铜合金镀金
 Housing Material/外壳材质:
 Aluminum alloy electroless plating dark nickel/铝合金镀化学哑镍
 Other metal spare parts/其余金属件: Aluminum alloy nickel plating/铝合金镀镍
 Card pin material/卡销材质: SUS316 /不锈钢316
 USB Insulator material/USB绝缘材料: PBT White
 IP Rating/防护等级: IP50
 *ALL MATERIALS ARE RoHS COMPLIANT/所有材料均符合RoHS要求

REV/版本	DESCRIPTION/变更内容	DATE/日期	DRAWN BY/绘图
A2	"暗镍"改成"哑镍"	2024.07.19	Z02



View k
K向孔位排列

Pin definition/引脚定义	
编号	定义
1	VBUS
2	D -
3	D +
4	GND
5	VBUS
6	D -
7	D +
8	GND

TOLERANCES UNLESS OTHERWISE SPECIFIED: 未标注尺寸公差:		THIRD ANGLE PROJECTION		Product name/产品名称	
.x ±0.5	x.' ±1.0'	SIZE: A4	UNITS: mm	插座/Socket (板接双层USB2.0)	
.xx ±0.2	.x' ±0.5'	SCALE: 1: 1	SHEET: 1 OF 1	DRAWN BY: 绘图:	料号
Z02	2024.07.19	DATE/日期	2024.07.19	QM NO	YW120Fm02IIB
CHECKED BY: 审核:	PD05	DATE/日期	2024.07.19	DRAWING NO	
APPROVED BY: 核准:	PD03	DATE/日期	2024.07.19	CUSTOMER NO	
				客户料号	A2


 QM(Quanna) Connector Shenzhen Co. LTD
 深圳市全马连接器有限公司