

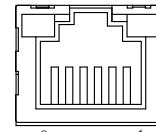
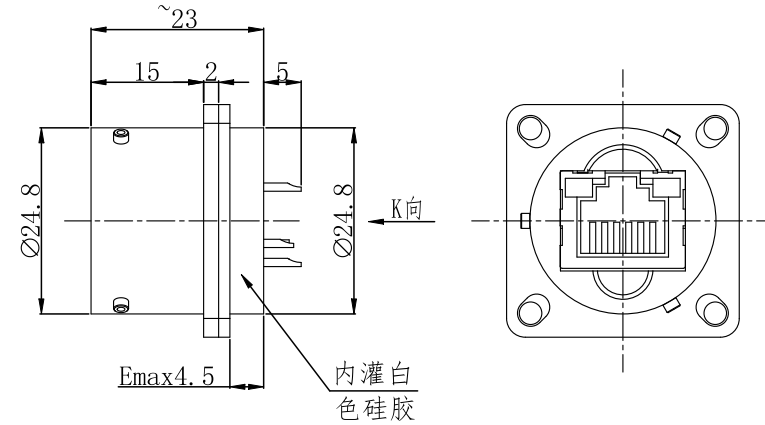
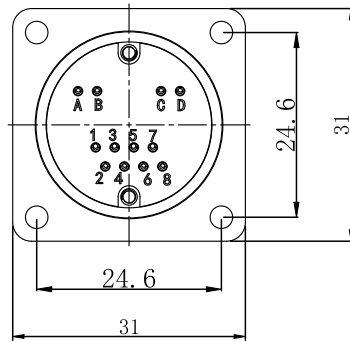
1) Product main performance/产品主要性能指标:
 Operating Temperature/工作温度: -55°C~125°C(带 LED指示灯)
 Relative humidity/相对湿度: 90%~95%(40±2° C)
 Working voltage/工作电压: 150V
 Working current/工作电流: 1.5A
 Insulation resistance/绝缘电阻: 5000MΩ
 Withstand voltage/耐电压: 1000V
 Contact resistance/接触电阻: ≤20mΩ
 Data transmission performance/数据传输性能:
 带灯RJ45: Insertion loss /插入损耗: 0.4dB(100MHz)
 Crosstalk /串扰: 30.1dB (100MHz)
 Impedance /阻抗: 100±15Ω

2) Mechanical data/机械特性:

Connection type/连接方式: Bayonet connection/卡口连接
 Vibration/振动: 10~2000Hz 147m/s²
 Shock Resistance/冲击: 490m/s²
 Salt Spray Corrosion/盐雾: 96hr
 Endurance (Shell)/机械寿命: 500

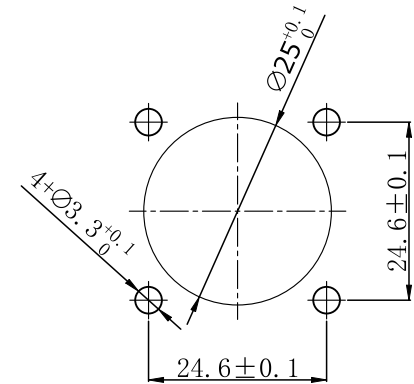
3) Other Specification/其它规格:

Solder cup/焊线杯: Tin bronze plating/锡青铜镀金
 Housing Material/外壳材质: Aluminum alloy electroless plating bright nickel/
 铝合金镀化学光亮镍
 Card pin material/卡销材质: SUS316 /不锈钢316
 Sealing ring material/密封垫: 硅胶
 Insulator material/绝缘材料: PPS
 IP Rating/防护等级: IP68(Interpolation state/插合状态)
 *ALL MATERIALS ARE RoHS COMPLIANT/所有材料均符合RoHS要求

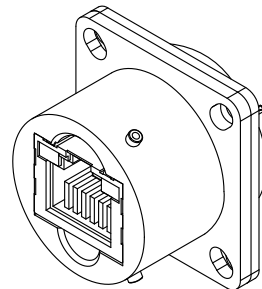


View k
K向孔位排列

| Pin definition/引脚定义 | | |
|---------------------|---------|-----|
| 1 | TX+ | A - |
| 2 | TX- | B + |
| 3 | RX+ | C - |
| 4 | N/C(空脚) | D + |
| 5 | N/C(空脚) | |
| 6 | RX- | |
| 7 | N/C(空脚) | |
| 8 | N/C(空脚) | |



Mounting plate opening size
面板安装开孔尺寸



| TOLERANCES UNLESS OTHERWISE SPECIFIED: 未标注尺寸公差: | | THIRD ANGLE PROJECTION | | Product name/产品名称 | |
|--|-----------|------------------------|---------------|---|--------------|
| .x ±0.5 | x.' ±1.0' | SIZE: A4 | UNITS: mm | 插座/Socket | |
| .xx ±0.2 | .x' ±0.5' | SCALE: 1: 1 | SHEET: 1 OF 1 | | |
| DRAWN BY: 绘图: | PD05 | DATE/日期: | 2023. 02. 03 | QM NO 料号 | YW120F01S1-F |
| CHECKED BY: 审核: | PD02 | DATE/日期: | 2023. 02. 03 | DRAWING NO 图号 | |
| APPROVED BY: 核准: | PD02 | DATE/日期: | 2023. 02. 03 | CUSTOMER NO 客户料号 | |
| | | | | QM(Quanma) Connector Shenzhen Co. LTD 深圳市全马连接器有限公司 | |

| REV/版本 | DESCRIPTION/变更内容 | DATE/日期 | DRAWN BY/绘图 |
|--------|------------------|---------|-------------|
| | | | |