

1 2 3 4 5 6 7 8

REV/版本	DESCRIPTION/变更内容	DATE/日期	DRAWN BY/绘图

1. Product main performance/产品主要性能指标:

Operating Temperature/工作温度 : -55°C ~ 150°C
 Humidity(max)/最大潮湿 : <=95% [at 60 deg C / 140 F]
 Salt Spray Corrosion/盐雾 : 96hr

Mechanical data/机械特性:

Vibration/振动 : 15g [10Hz~2000Hz]
 Endurance (Shell)/机械寿命 : 1200+

2. 电气性能

Insert Configuration/针芯配置: 0P. 309 9Low Voltage
 Pin Size/接触件直径: $\phi 0.5\text{mm}$
 Contact resistance/接触电阻: $\leq 15\text{m}\Omega$
 Insulation resistance/绝缘电阻: $5000\text{M}\Omega$ (测试电压500V(DC))
 Withstand voltage/耐电压: 750V(AC)
 Rated working current/额定工作电流: 2.0A
 Cable/配接电缆: $\phi 4.0\text{mm}-\phi 4.6\text{mm}$

Other Specification/其它规格:

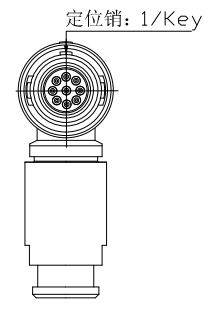
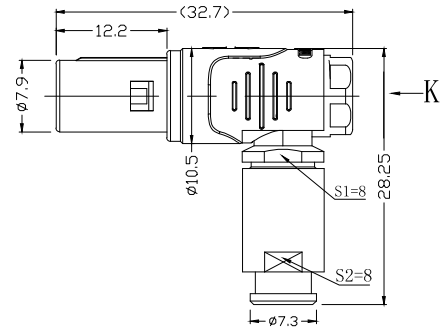
Contact PIN/接触体 : Gold plated Tin bronze/锡青铜镀金
 Housing Material/外壳材质 : PSU

Other Shell Material/其它壳体材质: PSU

Insulator material/绝缘体材料: PEEK

IP Rating/防护等级 : IP50

*ALL MATERIALS ARE RoHS COMPLIANT/所有材料均符合RoHS要求.

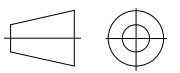


DRAWN BY: 绘图: PD03 2024. 05. 28
 CHECKED BY: 审核: Z01 2024. 05. 28
 APPROVED BY: 核准: PD05 2024. 05. 28



美易连电子科技(深圳)有限公司
 Meiyilian electronic technology (shenzhen) Co., Ltd.

GENERAL TOLERANCE (UNLESS SPECIFIED)
 $\leq 10 \pm 0.1$
 $< 10 \sim \leq 20 \pm 0.15$
 $< 20 \sim \leq 50 \pm 0.3$
 Angle $\pm 1^\circ$

 FIRST ANGLE PROJECTION	单位 UNTT: mm	名称	PWG-0P 90° 弯角插头 (带护套式尾帽) PWG-0P 90° Angle Plug (with jacketed tail cap)
	比例 SCALE: 1: 1	PART NAME	
	型号 SIZE: A4	PART NAME	PWG. 0P. 309. PKAC48GZ
REV/版本 A1	SHEET: 1 OF 1		

1 2 <https://www.mylconnector.com/> 4 5 <https://www.mylconnector.com/> 7 8