

1 2 3 4 5 6 7 8

REV/版本	DESCRIPTION/变更内容	DATE/日期	DRAWN BY/绘图

1. Product main performance/产品主要性能指标:

Operating Temperature/工作温度 : -55°C ~ 150°C  
 Humidity(max)/最大潮湿 : <=95% [at 60 deg C / 140 F]  
 Salt Spray Corrosion/盐雾 : 96hr

Mechanical data/机械特性:

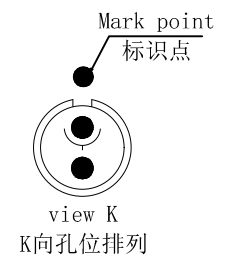
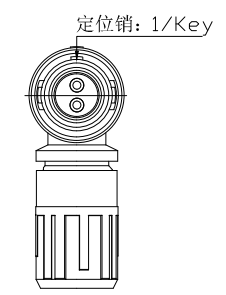
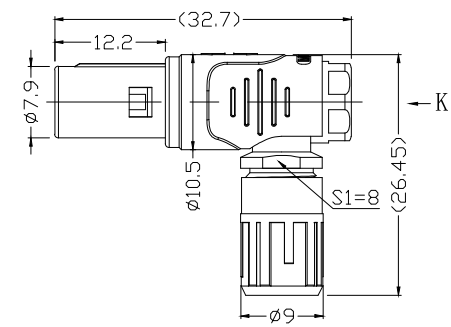
Vibration/振动 : 15g [10Hz~2000Hz]  
 Endurance (Shell)/机械寿命 : 1200+

2. 电气性能

Insert Configuration/针芯配置: 0P. 302 2Low Voltage  
 Pin Size/接触件直径:  $\phi 0.9\text{mm}$   
 Contact resistance/接触电阻:  $\leq 9\text{m}\Omega$   
 Insulation resistance/绝缘电阻: 5000M $\Omega$  (测试电压500V(DC))  
 Withstand voltage/耐电压: 1800V(AC)  
 Rated working current/额定工作电流: 10.0A  
 Cable/配接电缆:  $\phi 2.0\text{mm}$ - $\phi 3.0\text{mm}$

Other Specification/其它规格:

Contact PIN/接触体 : Gold plated Tin bronze/锡青铜镀金  
 Housing Material/外壳材质 : PSU  
 Other Shell Material/其它壳体材质: PSU  
 Insulator material/绝缘体材料: PEEK  
 IP Rating/防护等级 : IP50  
 \*ALL MATERIALS ARE RoHS COMPLIANT/所有材料均符合RoHS要求.

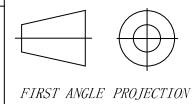


DRAWN BY: 绘图: PD03 2024. 05. 28  
 CHECKED BY: 审核: Z01 2024. 05. 28  
 APPROVED BY: 核准: PD05 2024. 05. 28



美易连电子科技(深圳)有限公司  
 Meiyilian electronic technology (shenzhen) Co., Ltd.

GENERAL TOLERANCE (UNLESS SPECIFIED)  
 $\leq 10 \pm 0.1$   
 $< 10 \sim \leq 20 \pm 0.15$   
 $< 20 \sim \leq 50 \pm 0.3$   
 Angle  $\pm 1^\circ$



单位  
 UNTT: mm  
 比例  
 SCALE: 1: 1

名称  
 PART NAME

PWG-0P 90° 弯角插头 (不带护套式尾帽)  
 PWG-0P 90° Angle Plug  
 (without jacketed tail cap)

SIZE: A4

型号  
 PART NAME

PWG. 0P. 302. PKAC32G

REV/版本

A1

SHEET: 1 OF 1

1 2 <https://www.mylconnector.com/> 4 5 <https://www.mylconnector.com/> 7 8