

REV/版本	DESCRIPTION/变更内容	DATE/日期	DRAWN BY/绘图

1. Product main performance/产品主要性能指标:

Operating Temperature/工作温度 :  $-55^{\circ}\text{C} \sim 150^{\circ}\text{C}$   
Humidity(max)/最大潮湿 :  $<=95\%$  [at 60 deg C / 140 F]  
Salt Spray Corrosion/盐雾 : 96hr

Mechanical data/机械特性:

Vibration/振动 : 15g[10Hz~2000Hz]  
Endurance (Shell)/机械寿命 : 2000+

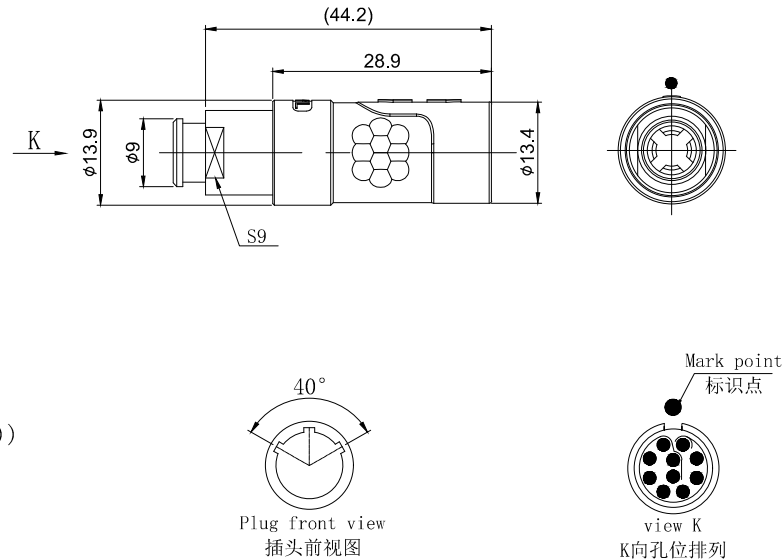
2. 电气性能

Insert Configuration/针芯配置: 1P. 310 10Low Voltage  
Pin Size/接触件直径:  $\phi 0.5\text{mm}$   
Contact resistance/接触电阻:  $\leq 15\text{m}\Omega$   
Insulation resistance/绝缘电阻: 5000M $\Omega$  (测试电压500V(DC))  
Withstand voltage/耐电压: 750V(AC)  
Rated working current/额定工作电流: 2.0A  
Cable/配接电缆:  $\phi 4.5\text{mm} - \phi 5.5\text{mm}$

Other Specification/其它规格:

Contact PIN/接触体 : Gold plated Tin bronze/锡青铜镀金  
Housing Material/外壳材质 : PSU  
Other Shell Material/其它壳体材质: PSU  
Insulator material/绝缘体材料: PPS  
IP Rating/防护等级 : IP50

\*ALL MATERIALS ARE RoHS COMPLIANT/所有材料均符合RoHS要求.

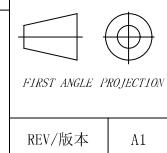


DRAWN BY:  
绘图: P003 2024. 05. 28  
CHECKED BY:  
审核: Z01 2024. 05. 28  
APPROVED BY:  
核准: P005 2024. 05. 28



美易连电子科技(深圳)有限公司  
Meiyilian electronic technology (shenzhen) Co., Ltd.

GENERAL TOLERANCE  
(UNLESS SPECIFIED)  
 $\leq 10 \pm 0.1$   
 $< 10^{\circ} \leq 20 \pm 0.15$   
 $< 20^{\circ} \leq 50 \pm 0.3$   
Angle  $\pm 1^{\circ}$



单位  
UNIT: mm  
比例  
SCALE: 1: 1  
SIZE: A4  
SHEET: 1 OF 1

名称  
PART NAME  
型号  
PART NAME

PRA-1P浮动式插座(带护套式尾帽)  
PRA-1P Floating socket  
(with jacketed tail cap)  
PRA. 1P. 310. PLLC52GZ