

REV/版本	DESCRIPTION/变更内容	DATE/日期	DRAWN BY/绘图

A

A

1. Product main performance/产品主要性能指标:

Operating Temperature/工作温度 : -55℃~150℃
 Humidity(max)/最大潮湿 : <=95% [at 60 deg C / 140 F]
 Salt Spray Corrosion/盐雾 : 96hr

Mechanical data/机械特性:

Vibration/振动 : 15g [10Hz~2000Hz]
 Endurance (Shell)/机械寿命 : 1000+

B

B

2. 电气性能

Insert Configuration/针芯配置: 3P. 326 26Low Voltage
 Pin Size/接触件直径: $\varnothing 0.7\text{mm}$
 Contact resistance接触电阻: $\leq 12.5\text{m}\Omega$
 Insulation resistance/绝缘电阻: $5000\text{M}\Omega$ (测试电压500V(DC))
 Withstand voltage/耐电压: 700V(AC)
 Rated working current额定工作电流: 4.0A
 Cable/配接电缆: $\varnothing 8.6\text{mm}-\varnothing 9.5\text{mm}$

C

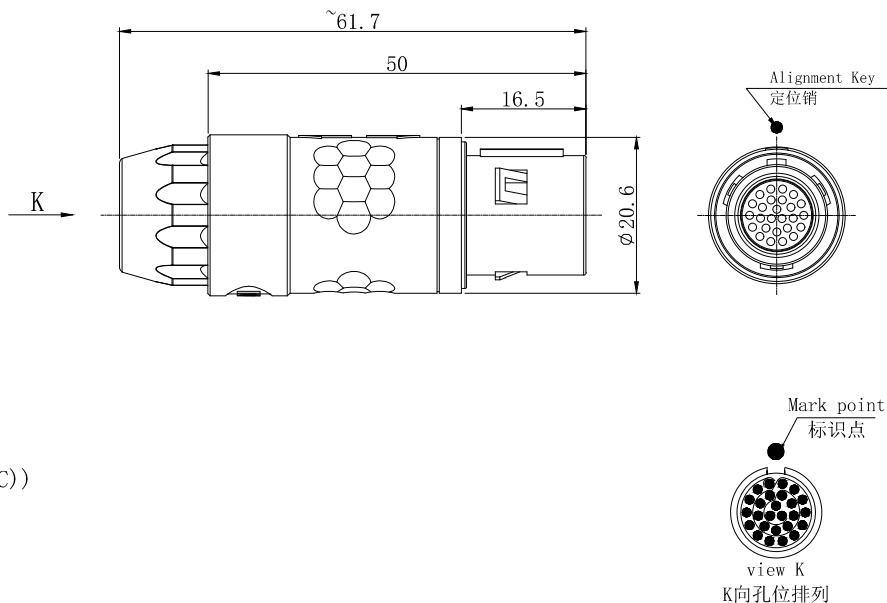
C

Other Specification/其它规格:

Contact PIN/接触体 : Gold plated Tin bronze/锡青铜镀金
 Housing Material/外壳材质 : PSU
 Other Shell Material/其它壳体材质: PSU
 Insulator material/绝缘体材料: PPS
 IP Rating/防护等级 : IP61
 *ALL MATERIALS ARE RoHS COMPLIANT/所有材料均符合RoHS要求.

D

D



DRAWN BY: 绘图: PDO3 2024. 05. 28
 CHECKED BY: 审核: Z01 2024. 05. 28
 APPROVED BY: 核准: PDO5 2024. 05. 28



美易连电子科技(深圳)有限公司
 Meiyilian electronic technology (shenzhen) Co., Ltd.

GENERAL TOLERANCE (UNLESS SPECIFIED)	
≤ 10	± 0.1
$< 10 \sim \leq 20$	± 0.15
$< 20 \sim \leq 50$	± 0.3
Angle	$\pm 1^\circ$

FIRST ANGLE PROJECTION

REV/版本 A1

单位 UNIT: mm	名称 PART NAME
比例 SCALE: 1: 1	
SIZE: A4	型号 PART NAME
SHEET: 1 OF 1	

PAG-3P直式插头(不带护套式尾帽)
 PAG-3P Straight Plug
 (without jacketed tail cap)
 PAG. 3P. 326. PLAC95G