

| REV/版本 | DESCRIPTION/变更内容 | DATE/日期 | DRAWN BY/绘图 |
|--------|------------------|---------|-------------|
| | | | |

A

A

1. Product main performance/产品主要性能指标:

Operating Temperature/工作温度 : -55℃~150℃
 Humidity(max)/最大潮湿 : <=95% [at 60 deg C / 140 F]
 Salt Spray Corrosion/盐雾 : 96hr

Mechanical data/机械特性:

Vibration/振动 : 15g[10Hz~2000Hz]
 Endurance (Shell)/机械寿命 : 1000+

B

B

2. 电气性能

Insert Configuration/针芯配置:3P.320 20Low Voltage
 Pin Size/接触件直径:∅0.7mm
 Contact resistance接触电阻:≤12.5mΩ
 Insulation resistance/绝缘电阻:5000MΩ (测试电压500V(DC))
 Withstand voltage/耐电压:750V(AC)
 Rated working current额定工作电流:6.0A
 Cable/配接电缆:∅5.5mm-∅6.5mm

C

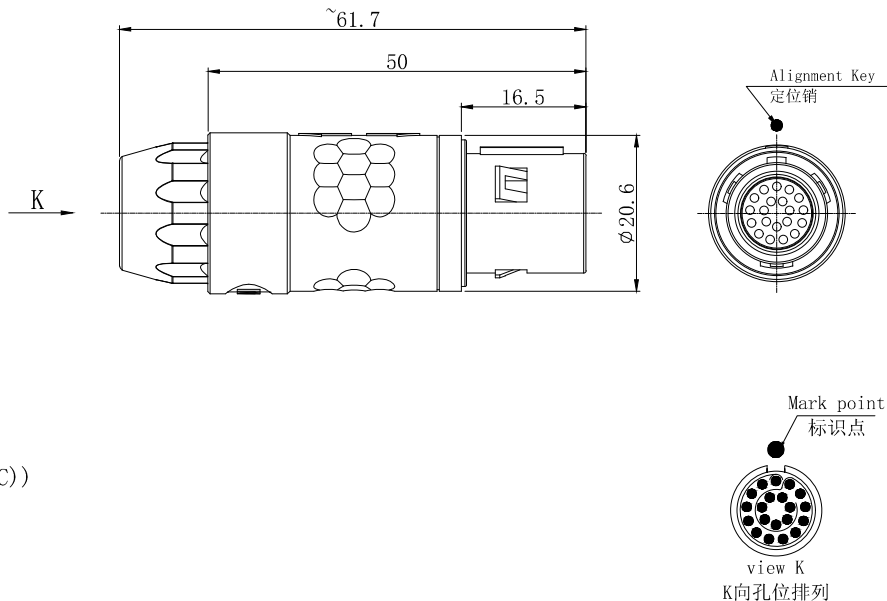
C

Other Specification/其它规格:

Contact PIN/接触体 : Gold plated Tin bronze/锡青铜镀金
 Housing Material/外壳材质 : PSU
 Other Shell Material/其它壳体材质: PSU
 Insulator material/绝缘体材料: PPS
 IP Rating/防护等级 : IP61
 *ALL MATERIALS ARE RoHS COMPLIANT/所有材料均符合RoHS要求.

D

D

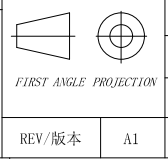


DRAWN BY: 绘图:PDO3 2024.05.28
 CHECKED BY: 审核:Z01 2024.05.28
 APPROVED BY: 核准:PDO5 2024.05.28



美易连电子科技(深圳)有限公司
 Meiyilian electronic technology(shenzhen)Co.,Ltd.

| | |
|--------------------------------------|-------|
| GENERAL TOLERANCE (UNLESS SPECIFIED) | |
| ≤10 | ±0.1 |
| <10 ~ ≤20 | ±0.15 |
| <20 ~ ≤50 | ±0.3 |
| Angle | ±1° |



| | |
|--------------|--------|
| 单位 UNIT: | mm |
| 比例 SCALE: | 1:1 |
| SIZE: | A4 |
| REV/版本 | A1 |
| SHEET: | 1 OF 1 |

| | |
|-----------------|--|
| 名称 PART NAME | PAG-3P直式插头(不带护套式尾帽) PAG-3P Straight Plug (without jacketed tail cap) |
| 型号 PART NAME | PAG. 3P. 320. PLAC65G |