

| REV/版本 | DESCRIPTION/变更内容 | DATE/日期 | DRAWN BY/绘图 |
|--------|------------------|---------|-------------|
| | | | |

A

A

1. Product main performance/产品主要性能指标:

Operating Temperature/工作温度 : -55℃~150℃
 Humidity(max)/最大潮湿 : <=95% [at 60 deg C / 140 F]
 Salt Spray Corrosion/盐雾 : 96hr

Mechanical data/机械特性:

Vibration/振动 : 15g [10Hz~2000Hz]
 Endurance (Shell)/机械寿命 : 1000+

B

B

2. 电气性能

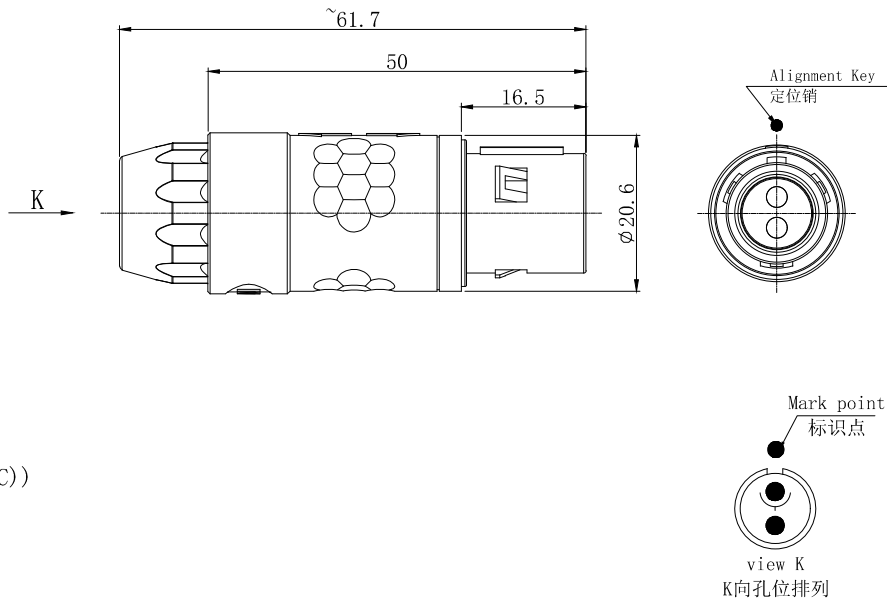
Insert Configuration/针芯配置: 3P. 302 2Low Voltage
 Pin Size/接触件直径: $\phi 3.0\text{mm}$
 Contact resistance接触电阻: $\leq 3\text{m}\Omega$
 Insulation resistance/绝缘电阻: $5000\text{M}\Omega$ (测试电压500V(DC))
 Withstand voltage/耐电压: 1550V(AC)
 Rated working current额定工作电流: 35.0A
 Cable/配接电缆: $\phi 7.6\text{mm}-\phi 8.5\text{mm}$

C

C


Other Specification/其它规格:

Contact PIN/接触体 : Gold plated Tin bronze/锡青铜镀金
 Housing Material/外壳材质 : PSU
 Other Shell Material/其它壳体材质: PSU
 Insulator material/绝缘体材料: PPS
 IP Rating/防护等级 : IP61
 *ALL MATERIALS ARE RoHS COMPLIANT/所有材料均符合RoHS要求.



D

D

| | | | |
|---|----|--|--|
| DRAWN BY: 绘图: PDO3 2024.05.28 CHECKED BY: 审核: Z01 2024.05.28 APPROVED BY: 核准: PDO5 2024.05.28 | |  美易连电子科技(深圳)有限公司 Meiyilian electronic technology (shenzhen) Co., Ltd. | |
| GENERAL TOLERANCE (UNLESS SPECIFIED) $\leq 10 \pm 0.1$ $< 10 \sim \leq 20 \pm 0.15$ $< 20 \sim \leq 50 \pm 0.3$ Angle $\pm 1^\circ$ | | | |
| FIRST ANGLE PROJECTION | | 尺寸 SIZE: A4 型号 PART NAME PAG. 3P. 302. PLAC85G | |
| REV/版本 | A1 | SHEET: 1 OF 1 | |