

REV/版本	DESCRIPTION/变更内容	DATE/日期	DRAWN BY/绘图

A

1. Product main performance/产品主要性能指标:

Operating Temperature/工作温度 : -55°C~150°C
 Humidity(max)/最大潮湿 : <=95% [at 60 deg C / 140 F]
 Salt Spray Corrosion/盐雾 : 96hr

Mechanical data/机械特性:

Vibration/振动 : 15g [10Hz~2000Hz]
 Endurance (Shell)/机械寿命 : 1000+

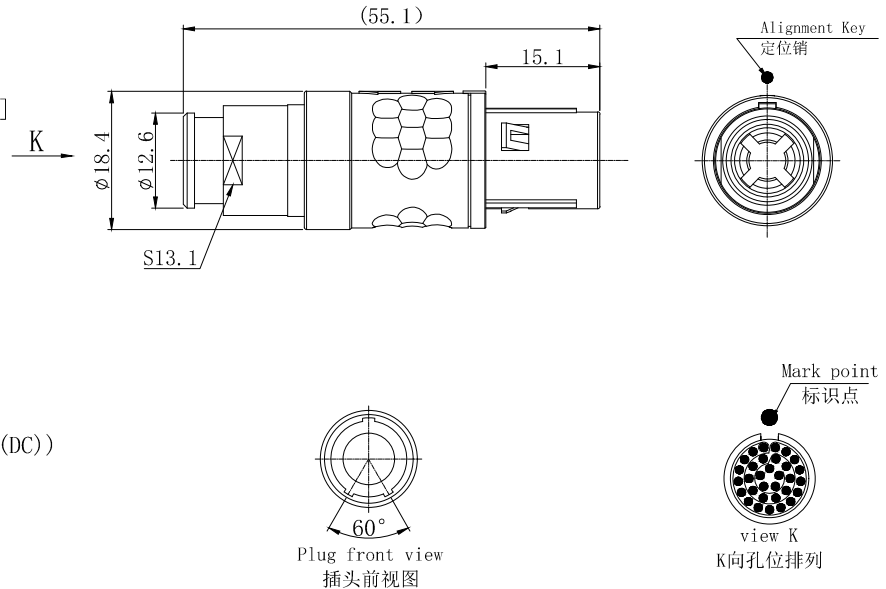
2. 电气性能

Insert Configuration/针芯配置:2P.332 32Low Voltage
 Pin Size/接触件直径:Ø0.5mm
 Contact resistance接触电阻:≤15mΩ
 Insulation resistance/绝缘电阻:5000MΩ (测试电压500V(DC))
 Withstand voltage/耐电压:700V(AC)
 Rated working current额定工作电流:1.5A
 Cable/配接电缆:Ø3.2mm-Ø5.2mm

Other Specification/其它规格:

Contact PIN/接触体 : Gold plated Tin bronze/锡青铜镀金
 Housing Material/外壳材质 : PSU
 Other Shell Material/其它壳体材质: PSU
 Insulator material/绝缘体材料: PEEK
 IP Rating/防护等级 : IP50


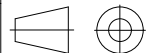
*ALL MATERIALS ARE RoHS COMPLIANT/所有材料均符合RoHS要求.



B

C

D

DRAWN BY: 绘图:PDO3 2024.05.28 CHECKED BY: 审核:Z01 2024.05.28 APPROVED BY: 核准:PDO5 2024.05.28		 美易连电子科技(深圳)有限公司 Meiyilian electronic technology(shenzhen)Co.,Ltd.		
GENERAL TOLERANCE (UNLESS SPECIFIED) ≤10 ±0.1 <10~≤20 ±0.15 <20~≤50 ±0.3 Angle ±1°		 FIRST ANGLE PROJECTION	单位 UNT: mm 名称 PART NAME 比例 SCALE: 1: 1 型号 PART NAME SHEET: 1 OF 1	PAB-2P直式插头(带护套式尾帽) PAB-2P Straight Plug (with jacketed tail cap) PAB. 2P. 332. PKAC52GZ
REV/版本	A1	REV/版本	A1	