

REV/版本	DESCRIPTION/变更内容	DATE/日期	DRAWN BY/绘图

A

A

1. Product main performance/产品主要性能指标:

Operating Temperature/工作温度 : -55℃~150℃  
 Humidity(max)/最大潮湿 : <=95% [at 60 deg C / 140 F]  
 Salt Spray Corrosion/盐雾 : 96hr

Mechanical data/机械特性:

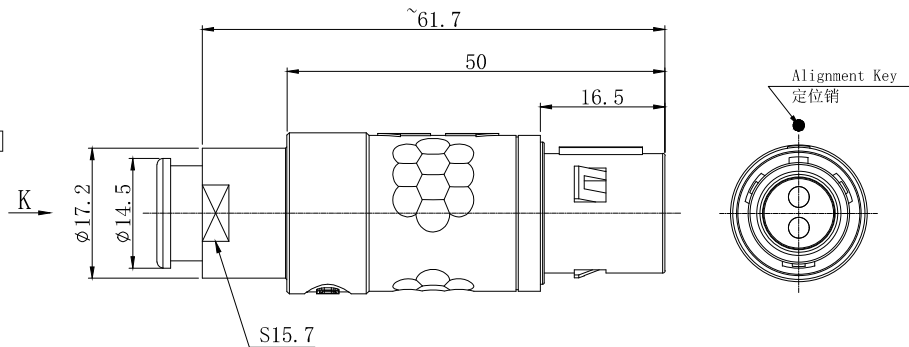
Vibration/振动 : 15g [10Hz~2000Hz]  
 Endurance (Shell)/机械寿命 : 1000+

2. 电气性能

Insert Configuration/针芯配置: 3P. 302 2Low Voltage  
 Pin Size/接触件直径:  $\phi 3.0\text{mm}$   
 Contact resistance接触电阻:  $\leq 3\text{m}\Omega$   
 Insulation resistance/绝缘电阻:  $5000\text{M}\Omega$  (测试电压500V(DC))  
 Withstand voltage/耐电压: 1550V(AC)  
 Rated working current额定工作电流: 35.0A  
 Cable/配接电缆:  $\phi 6.6\text{mm}-\phi 7.5\text{mm}$

Other Specification/其它规格:

Contact PIN/接触体 : Gold plated Tin bronze/锡青铜镀金  
 Housing Material/外壳材质 : PSU  
 Other Shell Material/其它壳体材质: PSU  
 Insulator material/绝缘体材料: PPS  
 IP Rating/防护等级 : IP61  
 \*ALL MATERIALS ARE RoHS COMPLIANT/所有材料均符合RoHS要求.



B

B

C

C

D

D

DRAWN BY: 绘图: PDO3	2024. 05. 28		美易连电子科技(深圳)有限公司 Meiyilian electronic technology (shenzhen) Co., Ltd.	
CHECKED BY: 审核: Z01	2024. 05. 28			
APPROVED BY: 核准: PDO5	2024. 05. 28			

GENERAL TOLERANCE (UNLESS SPECIFIED) $\leq 10 \pm 0.1$ $< 10 \sim \leq 20 \pm 0.15$ $< 20 \sim \leq 50 \pm 0.3$ Angle $\pm 1^\circ$		FIRST ANGLE PROJECTION	单位 UNIT: mm	名称 PART NAME	PAG-3P 直式插头 (带护套式尾帽) PAG-3P Straight Plug (with jacketed tail cap)
			比例 SCALE: 1: 1		
			型号 PART NAME	PAG. 3P. 302. PLAC75GZ	

REV/版本	A1	SHEET: 1 OF 1
--------	----	---------------