

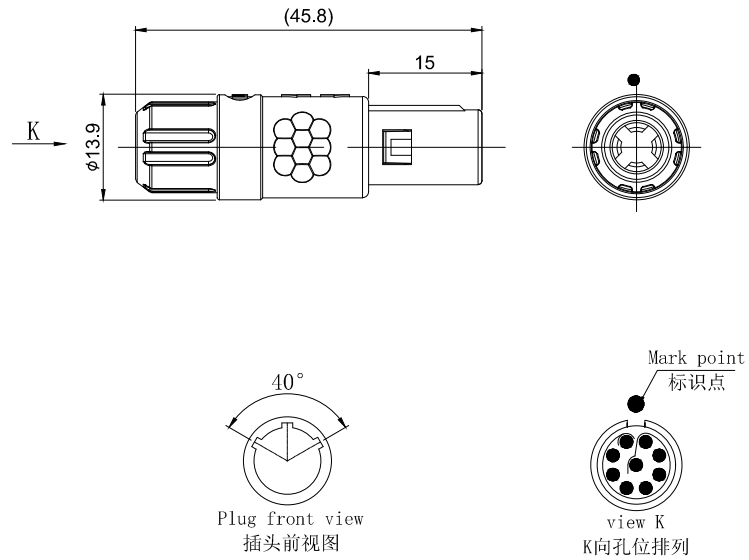
|        |                  |         |             |
|--------|------------------|---------|-------------|
| REV/版本 | DESCRIPTION/变更内容 | DATE/日期 | DRAWN BY/绘图 |
|        |                  |         |             |

1. Product main performance/产品主要性能指标:  
 Operating Temperature/工作温度 : -55°C~150°C  
 Humidity(max)/最大潮湿 : <=95% [at 60 deg C / 140 F]  
 Salt Spray Corrosion/盐雾 : 96hr

Mechanical data/机械特性:  
 Vibration/振动 : 15g [10Hz~2000Hz]  
 Endurance (Shell)/机械寿命 : 2000+


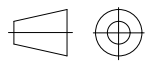
2. 电气性能  
 Insert Configuration/针芯配置: 1P. 309 9Low Voltage  
 Pin Size/接触件直径:  $\phi 0.5\text{mm}$   
 Contact resistance接触电阻:  $\leq 15\text{m}\Omega$   
 Insulation resistance/绝缘电阻:  $5000\text{M}\Omega$  (测试电压500V(DC))  
 Withstand voltage/耐电压: 750V(AC)  
 Rated working current额定工作电流: 2.5A  
 Cable/配接电缆:  $\phi 5.5\text{mm}-\phi 6.2\text{mm}$

Other Specification/其它规格:  
 Contact PIN/接触体 : Gold plated Tin bronze/锡青铜镀金  
 Housing Material/外壳材质 : PSU  
 Other Shell Material/其它壳体材质: PSU  
 Insulator material/绝缘体材料: PPS  
 IP Rating/防护等级 : IP50  
**\*ALL MATERIALS ARE RoHS COMPLIANT/所有材料均符合RoHS要求.**



Plug front view  
插头前视图

view K  
K向孔位排列

|  |   |  |                 |  |
|--|---|--|-----------------|--|
| DRAWN BY:<br>绘图: PDO3 2024. 05. 28<br>CHECKED BY:<br>审核: Z01 2024. 05. 28<br>APPROVED BY:<br>核准: PDO3 2024. 05. 28                                 |   |  美易连电子科技(深圳)有限公司<br>Meiyilian electronic technology(shenzhen)Co., Ltd. |                 |  |
| GENERAL TOLERANCE<br>(UNLESS SPECIFIED)<br>$\leq 10 \pm 0.1$<br>$< 10 \sim \leq 20 \pm 0.15$<br>$< 20 \sim \leq 50 \pm 0.3$<br>AngTe $\pm 1^\circ$ | <br>FIRST ANGLE PROJECTION | 单位<br>UNT: mm  | 名称<br>PART NAME | PAA-1P直式插头(不带护套式尾帽)<br>PAA-1P Straight Plug<br>(without jacketed tail cap) |
|  |   | 比例<br>SCALE: 1: 1  | 型号<br>PART NAME |  |
| REV/版本   | A1  | SHEET: 1 OF 1  |                 |  |