

REV/版本	DESCRIPTION/变更内容	DATE/日期	DRAWN BY/绘图

1. Product main performance/产品主要性能指标:

Operating Temperature/工作温度 : -55℃~150℃  
Humidity(max)/最大潮湿 : <=95% [at 60 deg C / 140 F]  
Salt Spray Corrosion/盐雾 : 96hr

Mechanical data/机械特性:

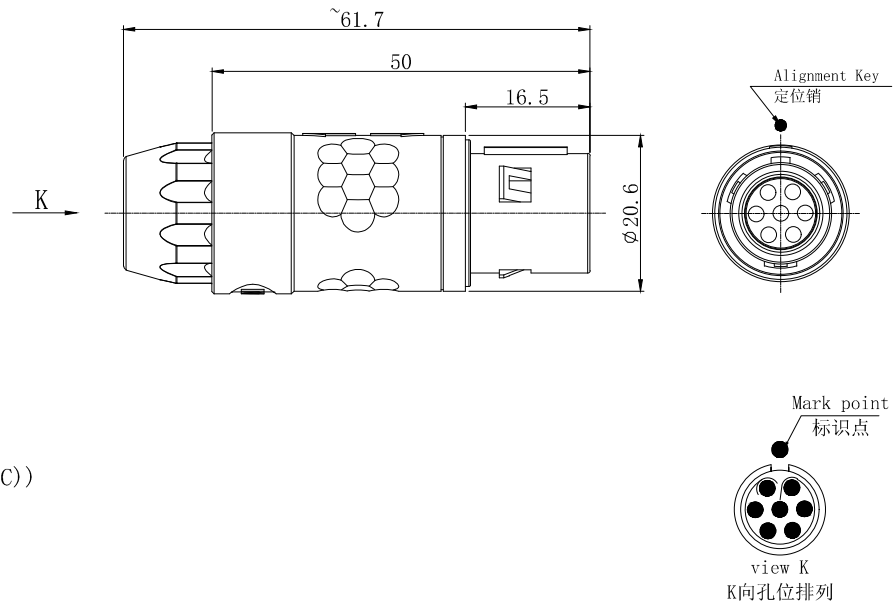
Vibration/振动 : 15g [10Hz~2000Hz]  
Endurance (Shell)/机械寿命 : 1000+

2. 电气性能

Insert Configuration/针芯配置: 3P. 307 7Low Voltage  
Pin Size/接触件直径:  $\phi 1.6\text{mm}$   
Contact resistance接触电阻:  $\leq 4\text{m}\Omega$   
Insulation resistance/绝缘电阻:  $5000\text{M}\Omega$  (测试电压500V(DC))  
Withstand voltage/耐电压: 1150V(AC)  
Rated working current额定工作电流: 15.0A  
Cable/配接电缆:  $\phi 8.6\text{mm}-\phi 9.5\text{mm}$

Other Specification/其它规格:

Contact PIN/接触体 : Gold plated Tin bronze/锡青铜镀金  
Housing Material/外壳材质 : PSU  
Other Shell Material/其它壳体材质: PSU  
Insulator material/绝缘体材料: PPS  
IP Rating/防护等级 : IP61  
\*ALL MATERIALS ARE RoHS COMPLIANT/所有材料均符合RoHS要求.

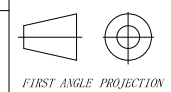


DRAWN BY:  
绘图: PDO3 2024. 05. 28  
CHECKED BY:  
审核: Z01 2024. 05. 28  
APPROVED BY:  
核准: PDO5 2024. 05. 28



美易连电子科技(深圳)有限公司  
Meiyilian electronic technology (shenzhen) Co., Ltd.

GENERAL TOLERANCE  
(UNLESS SPECIFIED)  
 $\leq 10 \pm 0.1$   
 $< 10 \sim \leq 20 \pm 0.15$   
 $< 20 \sim \leq 50 \pm 0.3$   
Angle  $\pm 1^\circ$



FIRST ANGLE PROJECTION

单位  
UNIT: mm  
比例  
SCALE: 1: 1

名称  
PART NAME

PAG-3P直式插头(不带护套式尾帽)  
PAG-3P Straight Plug  
(without jacketed tail cap)

SIZE: A4

型号  
PART NAME

PAG. 3P. 307. PLAC95G

REV/版本 A1

SHEET: 1 OF 1