

REV/版本	DESCRIPTION/变更内容	DATE/日期	DRAWN BY/绘图

1. Product main performance/产品主要性能指标:

Operating Temperature/工作温度 :  $-55^{\circ}\text{C} \sim 150^{\circ}\text{C}$   
Humidity(max)/最大潮湿 :  $<=95\%$  [at 60 deg C / 140 F]  
Salt Spray Corrosion/盐雾 : 96hr

Mechanical data/机械特性:

Vibration/振动 : 15g[10Hz~2000Hz]  
Endurance (Shell)/机械寿命 : 2000+

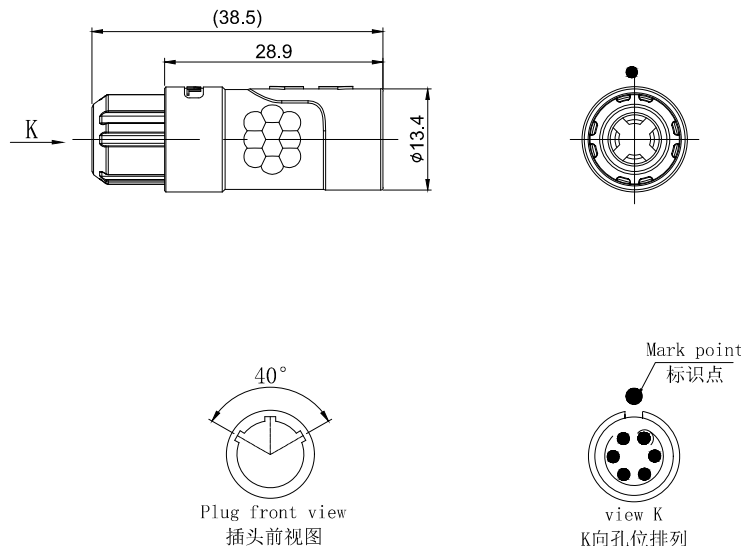
2. 电气性能

Insert Configuration/针芯配置:1P.306 6Low Voltage  
Pin Size/接触件直径: $\phi 0.7\text{mm}$   
Contact resistance接触电阻: $\leq 12.5\text{m}\Omega$   
Insulation resistance/绝缘电阻:5000M $\Omega$  (测试电压500V(DC))  
Withstand voltage/耐电压:1050V(AC)  
Rated working current额定工作电流:6.0A  
Cable/配接电缆: $\phi 4.5\text{mm} \sim \phi 5.5\text{mm}$

Other Specification/其它规格:


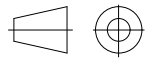
Contact PIN/接触体 : Gold plated Tin bronze/锡青铜镀金  
Housing Material/外壳材质 : PSU  
Other Shell Material/其它壳体材质: PSU  
Insulator material/绝缘体材料: PPS  
IP Rating/防护等级 : IP50

\*ALL MATERIALS ARE RoHS COMPLIANT/所有材料均符合RoHS要求.



Plug front view  
插头前视图

view K  
K向孔位排列

DRAWN BY: 绘图:PDO3 2024.05.28 CHECKED BY: 审核:Z01 2024.05.28 APPROVED BY: 核准:PDO5 2024.05.28		 <b>美易连电子科技(深圳)有限公司</b> Meiyilian electronic technology (shenzhen) Co., Ltd.		
GENERAL TOLERANCE (UNLESS SPECIFIED) $\leq 10 \pm 0.1$ $< 10^{\circ} \leq 20 \pm 0.15$ $< 20^{\circ} \leq 50 \pm 0.3$ Angle $\pm 1^{\circ}$		 FIRST ANGLE PROJECTION	单位 UNIT: mm 名称 PART NAME 比例 SCALE: 1: 1 型号 PART NAME SIZE: A4 SHEET: 1 OF 1	PRA-1P浮动式插座 (不带护套式尾帽) PRA-1P Floating socket (without jacketed tail cap)  PRA. 1P. 306. PLLC52G
REV/版本	A1	https://www.mylconnector.com/	https://www.mylconnector.com/	