

|        |                  |         |             |
|--------|------------------|---------|-------------|
| REV/版本 | DESCRIPTION/变更内容 | DATE/日期 | DRAWN BY/绘图 |
|        |                  |         |             |

A

A

1. Product main performance/产品主要性能指标:

Operating Temperature/工作温度 : -55℃~150℃  
 Humidity(max)/最大潮湿 : <=95% [at 60 deg C / 140 F]  
 Salt Spray Corrosion/盐雾 : 96hr

Mechanical data/机械特性:

Vibration/振动 : 15g [10Hz~2000Hz]  
 Endurance (Shell)/机械寿命 : 2000+

B

B

2. 电气性能

Insert Configuration/针芯配置: 1P.306 6Low Voltage  
 Pin Size/接触件直径:  $\phi 0.7\text{mm}$   
 Contact resistance/接触电阻:  $\leq 12.5\text{m}\Omega$   
 Insulation resistance/绝缘电阻:  $5000\text{M}\Omega$  (测试电压500V(DC))  
 Withstand voltage/耐电压: 1050V(AC)  
 Rated working current/额定工作电流: 6.0A  
 Cable/配接电缆:  $\phi 3.5\text{mm}-\phi 4.5\text{mm}$

C

C

Other Specification/其它规格:

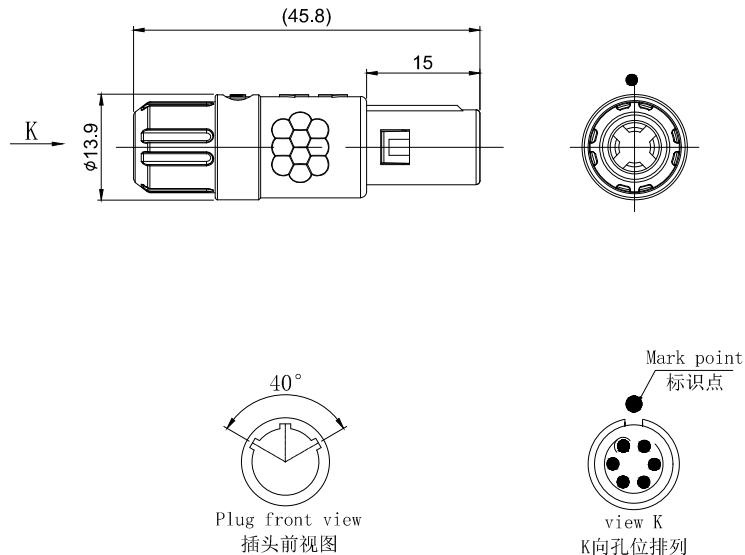
Contact PIN/接触体 : Gold plated Tin bronze/锡青铜镀金  
 Housing Material/外壳材质 : PSU  
 Other Shell Material/其它壳体材质: PSU  
 Insulator material/绝缘体材料: PPS

IP Rating/防护等级 : IP50

\*ALL MATERIALS ARE RoHS COMPLIANT/所有材料均符合RoHS要求.

D

D



Plug front view  
插头前视图

view K  
K向孔位排列

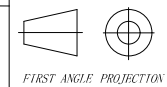
DRAWN BY:  
绘图: PDO3 2024.05.28  
 CHECKED BY:  
审核: Z01 2024.05.28  
 APPROVED BY:  
核准: PDO3 2024.05.28



美易连电子科技(深圳)有限公司

Meiyilian electronic technology(shenzhen)Co.,Ltd.

GENERAL TOLERANCE  
(UNLESS SPECIFIED)  
 $\leq 10 \pm 0.1$   
 $< 10 \sim \leq 20 \pm 0.15$   
 $< 20 \sim \leq 50 \pm 0.3$   
 AngTe  $\pm 1^\circ$



FIRST ANGLE PROJECTION

|                   |                 |  |
|-------------------|-----------------|--|
| 单位<br>UNTT: mm    | 名称<br>PART NAME | PAA-1P直式插头(不带护套式尾帽)<br>PAA-1P Straight Plug<br>(without jacketed tail cap) |
| 比例<br>SCALE: 1: 1 | 型号<br>PART NAME | PAA. 1P. 306. PLAC42G  |
| SIZE: A4          | REV/版本          | A1   |
| SHEET: 1 OF 1     |                 |  |