

REV/版本	DESCRIPTION/变更内容	DATE/日期	DRAWN BY/绘图

A

A

1. Product main performance/产品主要性能指标:

Operating Temperature/工作温度 : -55℃~150℃  
 Humidity(max)/最大潮湿 : <=95% [at 60 deg C / 140 F]  
 Salt Spray Corrosion/盐雾 : 96hr

Mechanical data/机械特性:

Vibration/振动 : 15g[10Hz~2000Hz]  
 Endurance (Shell)/机械寿命 : 1000+

B

B

2. 电气性能

Insert Configuration/针芯配置:3P.312 12Low Voltage  
 Pin Size/接触件直径:∅0.9mm  
 Contact resistance接触电阻:≤9mΩ  
 Insulation resistance/绝缘电阻:5000MΩ (测试电压500V(DC))  
 Withstand voltage/耐电压:1000V(AC)  
 Rated working current额定工作电流:9.0A  
 Cable/配接电缆:∅8.6mm-∅9.5mm

C

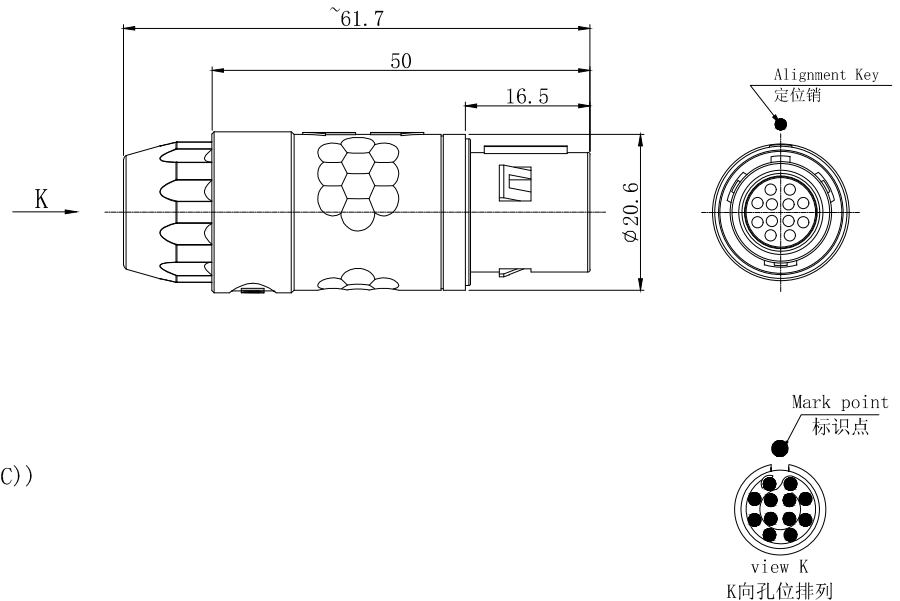
C

Other Specification/其它规格:

Contact PIN/接触体 : Gold plated Tin bronze/锡青铜镀金  
 Housing Material/外壳材质 : PSU  
 Other Shell Material/其它壳体材质: PSU  
 Insulator material/绝缘体材料: PPS  
 IP Rating/防护等级 : IP61  
 \*ALL MATERIALS ARE RoHS COMPLIANT/所有材料均符合RoHS要求.

D

D

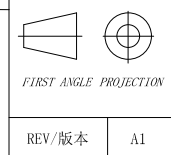


DRAWN BY: 绘图:PDO3 2024.05.28  
 CHECKED BY: 审核:Z01 2024.05.28  
 APPROVED BY: 核准:PDO5 2024.05.28



美易连电子科技(深圳)有限公司  
 Meiyilian electronic technology(shenzhen)Co.,Ltd.

GENERAL TOLERANCE (UNLESS SPECIFIED)	≤10 ±0.1 <10~≤20 ±0.15 <20~≤50 ±0.3 Angle ±1°
---	--



单位 UNIT: mm	名称 PART NAME
比例 SCALE: 1: 1	型号 PART NAME
SIZE: A4	
REV/版本 A1	SHEET: 1 OF 1

PAG-3P直式插头(不带护套式尾帽)  
 PAG-3P Straight Plug  
 (without jacketed tail cap)  
 PAG. 3P. 312. PLAC95G