

REV/版本	DESCRIPTION/变更内容	DATE/日期	DRAWN BY/绘图

1. Product main performance/产品主要性能指标:

Operating Temperature/工作温度 : $-55^{\circ}\text{C} \sim 150^{\circ}\text{C}$
 Humidity(max)/最大潮湿 : $<=95\%$ [at 60 deg C / 140 F]
 Salt Spray Corrosion/盐雾 : 96hr

Mechanical data/机械特性:

Vibration/振动 : 15g[10Hz~2000Hz]
 Endurance (Shell)/机械寿命 : 2000+

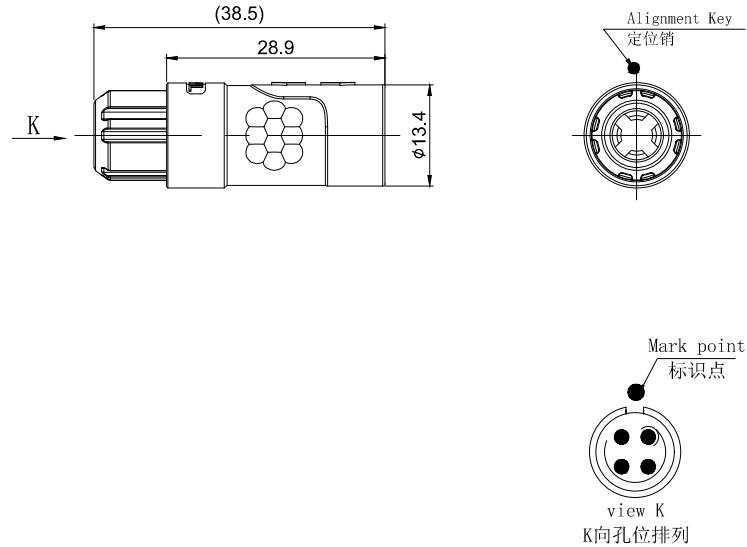
2. 电气性能

Insert Configuration/针芯配置: 1P. 304 4Low Voltage
 Pin Size/接触件直径: $\phi 0.9\text{mm}$
 Contact resistance/接触电阻: $\leq 9\text{m}\Omega$
 Insulation resistance/绝缘电阻: $5000\text{M}\Omega$ (测试电压500V(DC))
 Withstand voltage/耐电压: 1200V(AC)
 Rated working current/额定工作电流: 8.0A
 Cable/配接电缆: $\phi 3.5\text{mm} - \phi 4.5\text{mm}$

Other Specification/其它规格:

Contact PIN/接触体 : Gold plated Tin bronze/锡青铜镀金
 Housing Material/外壳材质 : PSU
 Other Shell Material/其它壳体材质: PSU
 Insulator material/绝缘体材料: PPS
 IP Rating/防护等级 : IP50

*ALL MATERIALS ARE RoHS COMPLIANT/所有材料均符合RoHS要求.

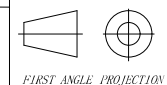


DRAWN BY:
绘图: P003 2024. 05. 28
 CHECKED BY:
审核: Z01 2024. 05. 28
 APPROVED BY:
核准: P005 2024. 05. 28



美易连电子科技(深圳)有限公司
 Meiyilian electronic technology (shenzhen) Co., Ltd.

GENERAL TOLERANCE
(UNLESS SPECIFIED)
 $\leq 10 \pm 0.1$
 $< 10^{\circ} \leq 20 \pm 0.15$
 $< 20^{\circ} \leq 50 \pm 0.3$
 Angle $\pm 1^{\circ}$



FIRST ANGLE PROJECTION

单位
UNIT: mm
 比例
SCALE: 1: 1
 SIZE: A4

名称
PART NAME

PRG-1P浮动式插座(不带护套式尾帽)
 PRG-1P Floating socket
 (without jacketed tail cap)

REV/版本 A1

SHEET: 1 OF 1

型号
PART NAME

PRG. 1P. 304. PLLC42G