

| REV./版本 | DESCRIPTION/变更内容 | DATE/日期 | DRAWN BY/绘图 |
|---------|------------------|---------|-------------|
| | | | |

1. Product main performance/产品主要性能指标:

Operating Temperature/工作温度 : -55°C~150°C
 Humidity(max)/最大潮湿 : <=95% [at 60 deg C / 140 F]
 Salt Spray Corrosion/盐雾 : 96hr

Mechanical data/机械特性:

Vibration/振动 : 15g [10Hz~2000Hz]
 Endurance (Shell)/机械寿命 : 1000+

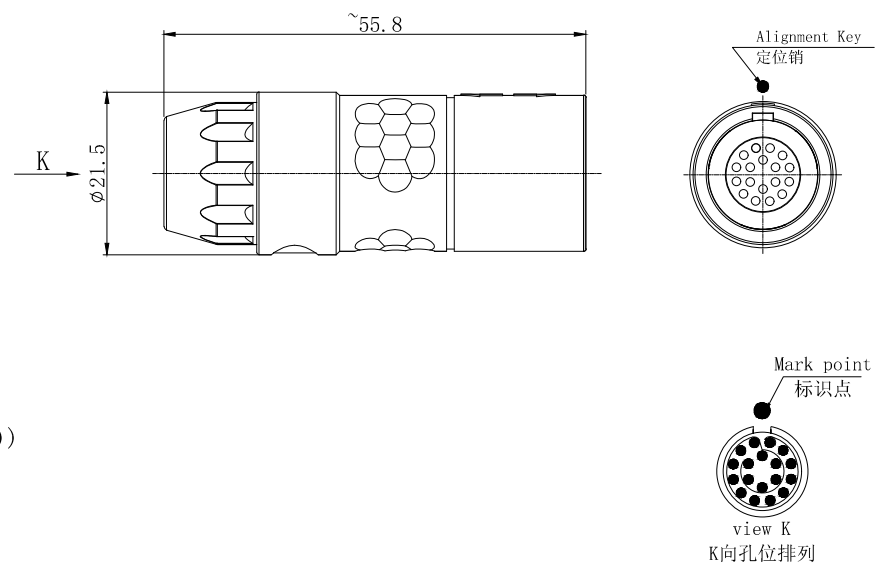
2. 电气性能

Insert Configuration/针芯配置:3P.318 18Low Voltage
 Pin Size/接触件直径:Ø0.9mm
 Contact resistance接触电阻:≤9mΩ
 Insulation resistance/绝缘电阻:5000MΩ (测试电压500V(DC))
 Withstand voltage/耐电压:850V(AC)
 Rated working current额定工作电流:7.0A
 Cable/配接电缆:Ø5.5mm-Ø6.5mm


Other Specification/其它规格:

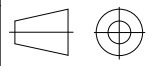
Contact PIN/接触体 : Gold plated Tin bronze/锡青铜镀金
 Housing Material/外壳材质 : PSU
 Other Shell Material/其它壳体材质: PSU
 Insulator material/绝缘体材料: PPS
 IP Rating/防护等级 : IP61

*ALL MATERIALS ARE RoHS COMPLIANT/所有材料均符合RoHS要求.



| | |
|---|------------|
| DRAWN BY: 绘图:PDO3 | 2024.05.28 |
| CHECKED BY: 审核:Z01 | 2024.05.28 |
| APPROVED BY: 核准:PDO5 | 2024.05.28 |
| GENERAL TOLERANCE (UNLESS SPECIFIED) | |
| ≤10 ±0.1 | |
| <10~≤20 ±0.15 | |
| <20~≤50 ±0.3 | |
| Angle ±1° | |


美易连电子科技(深圳)有限公司
 Meiyilian electronic technology(shenzhen)Co.,Ltd.

| | | | |
|---|-------------------|-----------|---|
|  FIRST ANGLE PROJECTION | 单位 UNTT: mm | 名称 | PRG-3P浮动式插座(不带护套式尾帽) PRG-3P Floating socket (without jacketed tail cap) |
| | 比例 SCALE: 1: 1 | PART NAME | |
| REV./版本 A1 | SIZE: A4 | 型号 | PRG. 3P. 318. PLLC65G |
| SHEET: 1 OF 1 | PART NAME | | |