

|        |                  |         |             |
|--------|------------------|---------|-------------|
| REV/版本 | DESCRIPTION/变更内容 | DATE/日期 | DRAWN BY/绘图 |
|        |                  |         |             |

A

1. Product main performance/产品主要性能指标:

Operating Temperature/工作温度 : -55°C~150°C  
 Humidity(max)/最大潮湿 : <=95% [at 60 deg C / 140 F]  
 Salt Spray Corrosion/盐雾 : 96hr

Mechanical data/机械特性:

Vibration/振动 : 15g [10Hz~2000Hz]  
 Endurance (Shell)/机械寿命 : 1000+

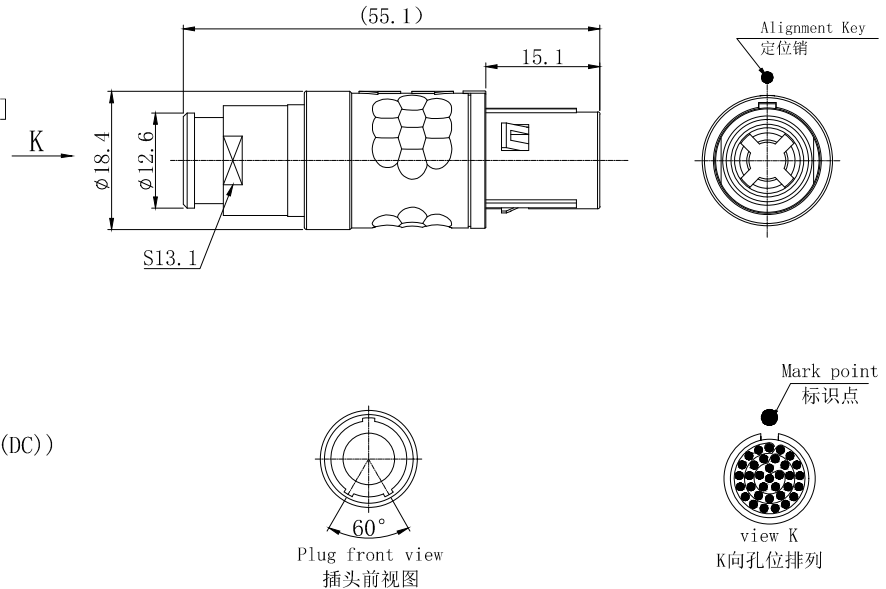
2. 电气性能

Insert Configuration/针芯配置: 2P. 334 34Low Voltage  
 Pin Size/接触件直径:  $\phi 0.5\text{mm}$   
 Contact resistance接触电阻:  $\leq 15\text{m}\Omega$   
 Insulation resistance/绝缘电阻:  $5000\text{M}\Omega$  (测试电压500V (DC))  
 Withstand voltage/耐电压: 700V (AC)  
 Rated working current额定工作电流: 1.5A  
 Cable/配接电缆:  $\phi 7.3\text{mm}-\phi 8.9\text{mm}$

Other Specification/其它规格:

Contact PIN/接触体 : Gold plated Tin bronze/锡青铜镀金  
 Housing Material/外壳材质 : PSU  
 Other Shell Material/其它壳体材质: PSU  
 Insulator material/绝缘体材料: PEEK  
 IP Rating/防护等级 : IP50

\*ALL MATERIALS ARE RoHS COMPLIANT/所有材料均符合RoHS要求.



B

C

D

|  |                        |  |   |
|--|------------------------|--|---|
| DRAWN BY:<br>绘图: P003    2024. 05. 28<br>CHECKED BY:<br>审核: Z01    2024. 05. 28<br>APPROVED BY:<br>核准: P005    2024. 05. 28                        |                        | 美易连电子科技(深圳)有限公司<br>Meiyilian electronic technology(shenzhen)Co.,Ltd. |   |
| GENERAL TOLERANCE<br>(UNLESS SPECIFIED)<br>$\leq 10 \pm 0.1$<br>$< 10 \sim \leq 20 \pm 0.15$<br>$< 20 \sim \leq 50 \pm 0.3$<br>Angle $\pm 1^\circ$ | FIRST ANGLE PROJECTION | 单位<br>UNTT: mm<br>比例<br>SCALE: 1: 1<br>型号<br>SIZE: A4                | 名称<br>PART NAME<br>PAB-2P直式插头(带护套式尾帽)<br>PAB-2P Straight Plug<br>(with jacketed tail cap) |
|  | REV/版本    A1           | SHEET: 1 OF 1  | 型号<br>PART NAME<br>PAB. 2P. 334. PKAC92GZ   |