

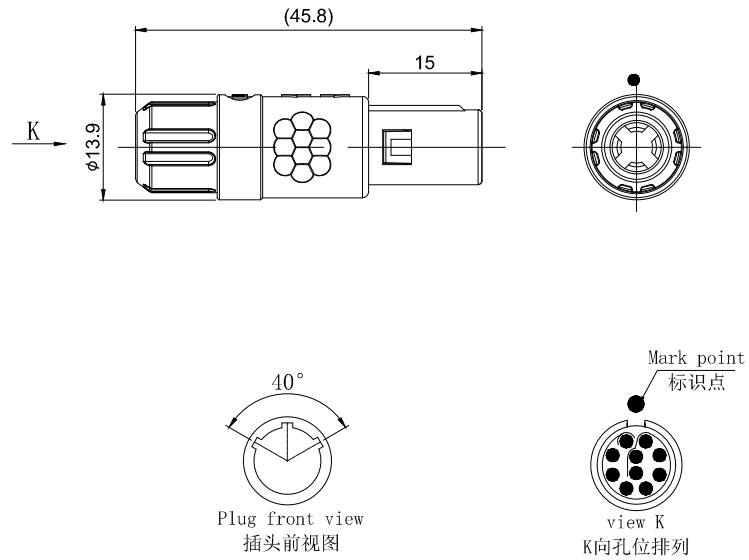
REV/版本	DESCRIPTION/变更内容	DATE/日期	DRAWN BY/绘图

1. Product main performance/产品主要性能指标:
 Operating Temperature/工作温度 : -55℃~150℃
 Humidity(max)/最大潮湿 : <=95% [at 60 deg C / 140 F]
 Salt Spray Corrosion/盐雾 : 96hr

Mechanical data/机械特性:
 Vibration/振动 : 15g [10Hz~2000Hz]
 Endurance (Shell)/机械寿命 : 2000+


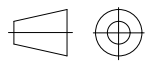
2. 电气性能
 Insert Configuration/针芯配置: 1P. 310 10Low Voltage
 Pin Size/接触件直径: $\phi 0.5\text{mm}$
 Contact resistance接触电阻: $\leq 15\text{m}\Omega$
 Insulation resistance/绝缘电阻: $5000\text{M}\Omega$ (测试电压500V(DC))
 Withstand voltage/耐电压: 750V(AC)
 Rated working current额定工作电流: 2.0A
 Cable/配接电缆: $\phi 4.5\text{mm}-\phi 5.5\text{mm}$

Other Specification/其它规格:
 Contact PIN/接触体 : Gold plated Tin bronze/锡青铜镀金
 Housing Material/外壳材质 : PSU
 Other Shell Material/其它壳体材质: PSU
 Insulator material/绝缘体材料: PPS
 IP Rating/防护等级 : IP50
 *ALL MATERIALS ARE RoHS COMPLIANT/所有材料均符合RoHS要求.



Plug front view
插头前视图

view K
K向孔位排列

DRAWN BY: 绘图: PDO3 2024. 05. 28 CHECKED BY: 审核: Z01 2024. 05. 28 APPROVED BY: 核准: PDO3 2024. 05. 28		 美易连电子科技(深圳)有限公司 Meiyilian electronic technology(shenzhen)Co., Ltd.		
GENERAL TOLERANCE (UNLESS SPECIFIED) $\leq 10 \pm 0.1$ $< 10 \sim \leq 20 \pm 0.15$ $< 20 \sim \leq 50 \pm 0.3$ AngTe $\pm 1^\circ$	 FIRST ANGLE PROJECTION	单位 UNTT: mm	名称 PART NAME	PAA-1P直式插头(不带护套式尾帽) PAA-1P Straight Plug (without jacketed tail cap)
		比例 SCALE: 1: 1	型号 PART NAME	PAA. 1P. 310. PLAC52G
REV/版本 A1	SHEET: 1 OF 1	单位 UNTT: mm 名称 PART NAME PAA-1P直式插头(不带护套式尾帽) PAA-1P Straight Plug (without jacketed tail cap)		