

1. Product main performance/产品主要性能指标:

Operating Temperature/工作温度 : -55°C~150°C  
 Humidity(max)/最大潮湿 : <=95% [at 60 deg C / 140 F]  
 Shielding /屏蔽性能 : 75dB(10MHz) 40dB(1GHz)  
 Salt Spray Corrosion/盐雾 : 96hr

Mechanical data/机械特性:

Vibration/振动 : 15g[10Hz~2000Hz]  
 Shock Resistance/冲击 : 100g[6ms]  
 Endurance (Shell)/机械寿命 : 5000+  
 Cable/配接电缆:  $\phi 4.1\text{mm}-\phi 5.0\text{mm}$

2. 电气性能

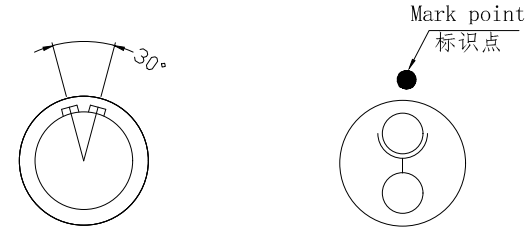
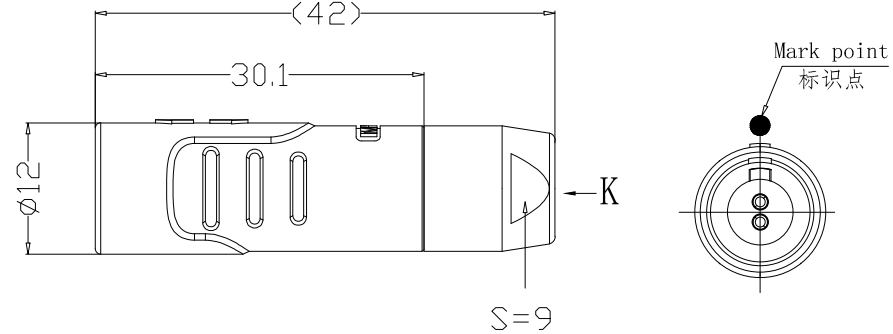
Insert Configuration/针芯配置: 1BP. 302 2Low Voltage  
 Pin Size/接触件直径:  $\phi 1.3\text{mm}$   
 Contact resistance接触电阻:  $\leq 5\text{m}\Omega$   
 Insulation resistance/绝缘电阻:  $5000\text{M}\Omega$  (测试电压500V(DC))  
 Withstand voltage/耐电压: 1500V(AC)  
 Rated working current额定工作电流: 15.0A

Other Specification/其它规格:

Contact PIN/接触体 : Gold plated Tin bronze/锡青铜镀金  
 Housing Material/外壳材质 : PEEK  
 Other Shell Material/其它壳体材质: 铜镀镍  
 Insulator material/绝缘体材料: PPS  
 IP Rating/防护等级 : IP50


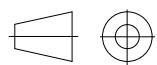
\*ALL MATERIALS ARE RoHS COMPLIANT/所有材料均符合RoHS要求.

REV/版本	DESCRIPTION/变更内容	DATE/日期	DRAWN BY/绘图



Plug front view  
插头前视图

view K  
K向孔位排列

DRAWN BY: 绘图: PD03 2024. 05. 28 CHECKED BY: 审核: Z01 2024. 05. 28 APPROVED BY: 核准: PD05 2024. 05. 28	 美易连电子科技(深圳)有限公司 Meiyilian electronic technology (shenzhen) Co., Ltd.		单位 UNIT: mm 名称 PART NAME 比例 SCALE: 1: 1 型号 PART NAME	DHA-1BP浮动式插座(不带护套式尾帽) DHA-1BP Floating socket (without jacketed tail cap)
GENERAL TOLERANCE (UNLESS SPECIFIED) <math>\le 10 \pm 0.1</math> <math>< 10 \sim \le 20 \pm 0.15</math> <math>< 20 \sim \le 50 \pm 0.3</math> Angle $\pm 1^\circ$	 FIRST ANGLE PROJECTION	尺寸 SIZE: A4 SHEET: 1 OF 1	型号 PART NAME DHA. 1BP. 302. KWLLD52	
REV/版本	A1			