

1) Product main performance/产品主要性能指标:

Operating Temperature/工作温度: $-55^{\circ}\text{C}\sim 150^{\circ}\text{C}$
 Humidity(max)/最大潮湿: $<=95\%$ [at 60 deg C / 140 F]
 Shielding /屏蔽性能: 75dB(10MHz) 40dB(1GHz)
 Salt Spray Corrosion/盐雾: 96hr

Mechanical data/机械特性:

Vibration/振动: 15g[10Hz~2000Hz]
 Shock Resistance/冲击: 100g[6ms]
 Endurance (Shell)/机械寿命: 5000+

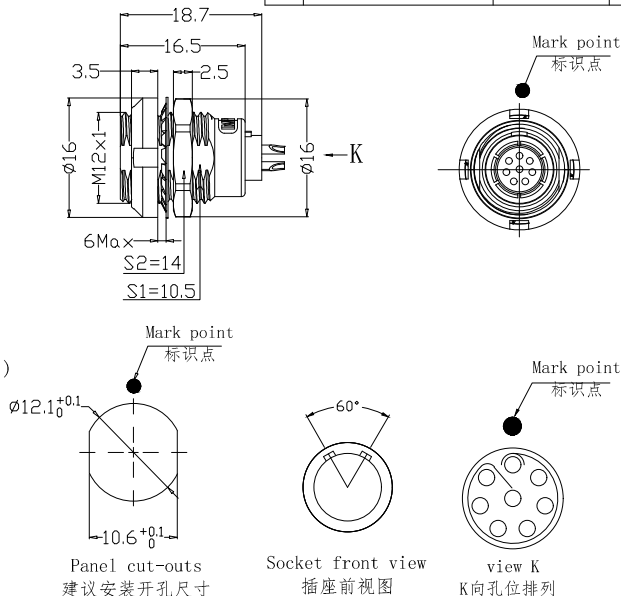
2. 电气性能

Insert Configuration/针芯配置: 1BP. 308 8Low Voltage
 Pin Size/接触件直径: $\Phi 0.7\text{mm}$
 Contact resistance接触电阻: $\leq 12.5\text{m}\Omega$
 Insulation resistance/绝缘电阻: 5000M Ω (测试电压500V(DC))
 Withstand voltage/耐电压: 950V(AC)
 Rated working current额定工作电流: 5.0A

Other Specification/其它规格:

Contact PIN/接触体: Gold plated Tin bronze/锡青铜镀金
 Housing Material/外壳材质: PEEK
 Other Shell Material/其它壳体材质: 铜镀镍
 Insulator material/绝缘体材料: PEEK
 IP Rating/防护等级: IP50

*ALL MATERIALS ARE RoHS COMPLIANT/所有材料均符合RoHS要求.



REV/版本	DESCRIPTION/变更内容	DATE/日期	DRAWN BY/制图

DRAWN BY: 绘图: P903	2024. 05. 28
CHECKED BY: 审核: Z01	2024. 05. 28
APPROVED BY: 核准: P903	2024. 05. 28
GENERAL TOLERANCE (UNLESS SPECIFIED)	
$\leq 10 \pm 0.1$	
$< 10^{\circ} \leq 50 \pm 0.15$	
$> 50 \pm 0.3$	
Angle $\pm 1^{\circ}$	

		美易连电子科技(深圳)有限公司 Meiyilian electronic technology(shenzhen)Co.,Ltd.			
		单位 UNIT: mm	名称 PART NAME	ZCB-1BP 双螺母插座 ZCB-1BP Double nut socket	
FIRST ANGLE PROJECTION		比例 SCALE: 1: 1	型号 PART NAME	ZCB. 1BP. 308. KWKL	
REV/版本	A1	SIZE: A4 SHEET: 1 OF 1	https://www.mylconnector.com/		