

REV.版本	DESCRIPTION/变更内容	DATE/日期	DRAWN BY/绘图

1. Product main performance/产品主要性能指标:

Operating Temperature/工作温度 :  $-55^{\circ}\text{C}\sim 150^{\circ}\text{C}$   
Humidity(max)/最大潮湿 :  $\leq 95\%$  [at 60 deg C / 140 F]  
Salt Spray Corrosion/盐雾 : 96hr

Mechanical data/机械特性:

Vibration/振动 : 15g[10Hz~2000Hz]  
Endurance (Shell)/机械寿命 : 1000+

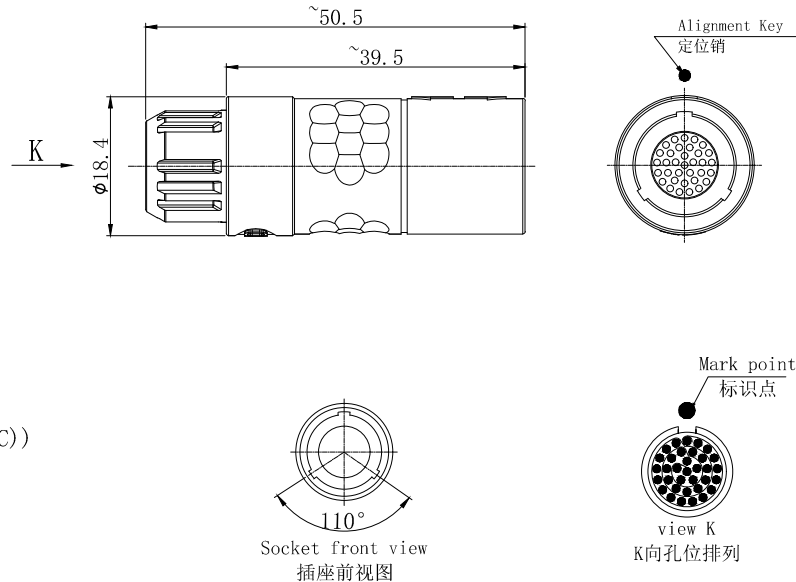
2. 电气性能


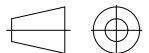
Insert Configuration/针芯配置: 2P. 334 34Low Voltage  
Pin Size/接触件直径:  $\phi 0.5\text{mm}$   
Contact resistance接触电阻:  $\leq 15\text{m}\Omega$   
Insulation resistance/绝缘电阻:  $5000\text{M}\Omega$  (测试电压500V(DC))  
Withstand voltage/耐电压: 700V(AC)  
Rated working current 额定工作电流: 1.5A  
Cable/配接电缆:  $\phi 7.3\text{mm}-\phi 8.9\text{mm}$

Other Specification/其它规格:

Contact PIN/接触体 : Gold plated Tin bronze/锡青铜镀金  
Housing Material/外壳材质 : PSU  
Other Shell Material/其它壳体材质: PSU  
Insulator material/绝缘体材料: PEEK  
IP Rating/防护等级 : IP50

\*ALL MATERIALS ARE RoHS COMPLIANT/所有材料均符合RoHS要求.



DRAWN BY: 绘图: PD03 2024.05.28		 <b>美易连电子科技(深圳)有限公司</b> Meiyilian electronic technology (shenzhen) Co., Ltd.			
CHECKED BY: 审核: Z01 2024.05.28					
APPROVED BY: 核准: PD05 2024.05.28					
<b>GENERAL TOLERANCE (UNLESS SPECIFIED)</b> $\leq 10 \pm 0.1$ $< 10 \sim \leq 20 \pm 0.15$ $< 20 \sim \leq 50 \pm 0.3$ Angle $\pm 1^{\circ}$		 FIRST ANGLE PROJECTION	单位 UNTT: mm 比例 SCALE: 1: 1 SIZE: A4 SHEET: 1 OF 1	名称 PART NAME 型号 PART NAME	PRD-2P浮动式插座 (不带护套式尾帽) PRD-2P Floating socket (without jacketed tail cap)  PRD. 2P. 334. PKLC92G
REV/版本	A1	REV/版本	A1	SHEET: 1 OF 1	