

1) Product main performance/产品主要性能指标:

Operating Temperature/工作温度:  $-55^{\circ}\text{C}\sim 150^{\circ}\text{C}$   
 Humidity(max)/最大潮湿:  $<=95\%$  [at  $60\text{ deg C} / 140\text{ F}$ ]  
 Shielding /屏蔽性能:  $75\text{dB}(10\text{MHz})\ 40\text{dB}(1\text{GHz})$   
 Salt Spray Corrosion/盐雾: 96hr

Mechanical data/机械特性:

Vibration/振动:  $15\text{g}[10\text{Hz}\sim 2000\text{Hz}]$   
 Shock Resistance/冲击:  $100\text{g}[6\text{ms}]$   
 Endurance (Shell)/机械寿命: 5000+

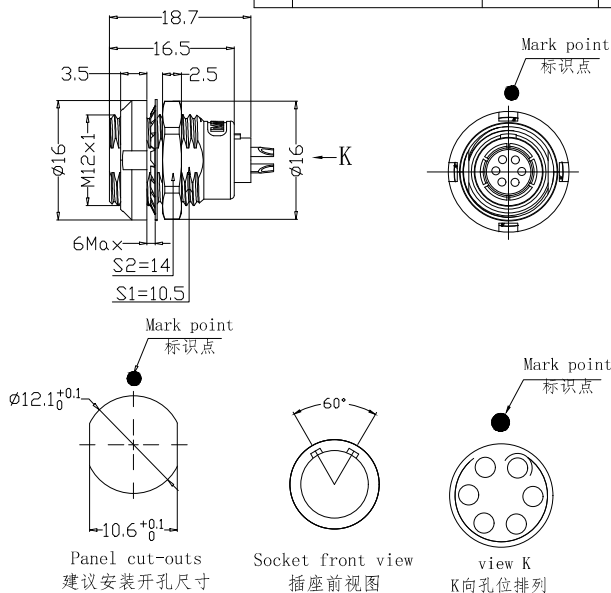
2. 电气性能

Insert Configuration/针芯配置: 1BP. 306 6Low Voltage  
 Pin Size/接触件直径:  $\phi 0.7\text{mm}$   
 Contact resistance接触电阻:  $\leq 12.5\text{m}\Omega$   
 Insulation resistance/绝缘电阻:  $5000\text{M}\Omega$  (测试电压500V(DC))  
 Withstand voltage/耐电压:  $1050\text{V(AC)}$   
 Rated working current额定工作电流:  $7.0\text{A}$

Other Specification/其它规格:

Contact PIN/接触体: Gold plated Tin bronze/锡青铜镀金  
 Housing Material/外壳材质: PEEK  
 Other Shell Material/其它壳体材质: 铜镀镍  
 Insulator material/绝缘体材料: PEEK  
 IP Rating/防护等级: IP50

\*ALL MATERIALS ARE RoHS COMPLIANT/所有材料均符合RoHS要求.



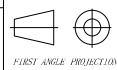
REV/版本	DESCRIPTION/变更内容	DATE/日期	DRAWN BY/绘图

DRAWN BY:  
绘图: P003 2024.05.28  
 CHECKED BY:  
审核: Z01 2024.05.28  
 APPROVED BY:  
核准: P005 2024.05.28



美易连电子科技(深圳)有限公司  
 Meiyilian electronic technology(shenzhen)Co.,Ltd.

GENERAL TOLERANCE  
(UNLESS SPECIFIED)  
 $\leq 10\ \pm 0.1$   
 $< 10^{\circ} \leq 20\ \pm 0.15$   
 $< 20^{\circ} \leq 50\ \pm 0.3$   
 Angle  $\pm 1^{\circ}$



单位  
UNIT: mm  
比例  
SCALE: 1:1  
SIZE: A4

名称 PART NAME	ZCB-1BP 双螺母插座 ZCB-1BP Double nut socket
型号 PART NAME	ZCB. 1BP. 306. KWKL

REV/版本 A1

SHEET: 1 OF 1