

1) Product main performance/产品主要性能指标:

Operating Temperature/工作温度:  $-55^{\circ}\text{C} \sim 150^{\circ}\text{C}$   
 Humidity(最大潮湿):  $\leq 95\%$  [at 60 deg C / 140 F]  
 Shielding /屏蔽性能: 75dB(10MHz) 40dB(1GHz)  
 Salt Spray Corrosion/盐雾: 96hr

Mechanical data/机械特性:

Vibration/振动: 15g[10Hz~2000Hz]  
 Shock Resistance/冲击: 100g[6ms]  
 Endurance (Shell)/机械寿命: 5000+

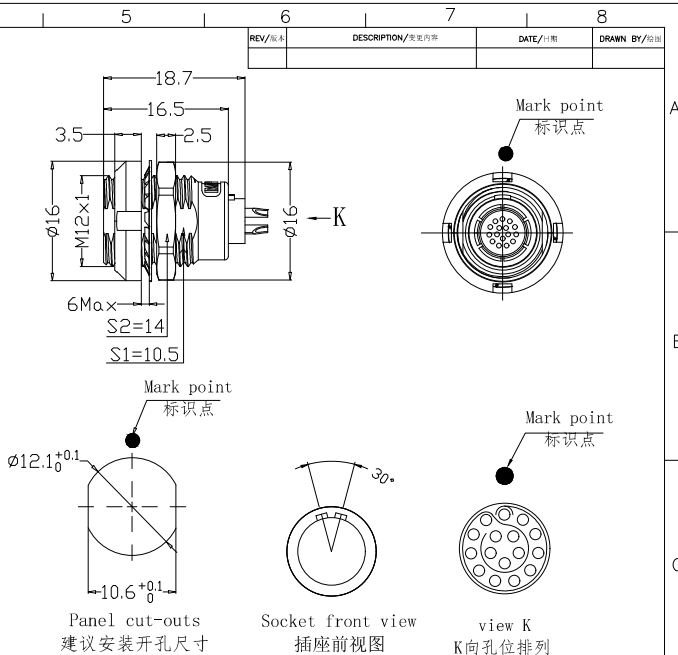
2. 电气性能

Insert Configuration/针芯配置: 1BP. 316 16Low Voltage  
 Pin Size/接触件直径:  $\phi 0.5\text{mm}$   
 Contact resistance接触电阻:  $\leq 15\text{m}\Omega$   
 Insulation resistance/绝缘电阻: 50000  $\Omega$  (测试电压500V(DC))  
 Withstand voltage/耐电压: 750V(AC)  
 Rated working current额定工作电流: 1.5A

Other Specification/其它规格:

Contact PIN/接触体: Gold plated Tin bronze/锡青铜镀金  
 Housing Material/外壳材质: PEEK  
 Other Shell Material/其它壳体材质: 铜镀镍  
 Insulator material/绝缘体材料: PEEK  
 IP Rating/防护等级: IP50

\*ALL MATERIALS ARE RoHS COMPLIANT/所有材料均符合RoHS要求.



DRAWN BY: 绘图: P003 2024.05.28  
 CHECKED BY: 审核: Z01 2024.05.28  
 APPROVED BY: 核准: P003 2024.05.28

**MEIYILIAN** 美易连电子科技(深圳)有限公司  
 Meiyilian electronic technology(shenzhen)Co.,Ltd.

GENERAL TOLERANCE (UNLESS SPECIFIED) $\leq 10 \pm 0.1$ $< 10^{\circ} \sim 20^{\circ} \pm 0.15$ $> 20^{\circ} \sim 50^{\circ} \pm 0.3$ Angle $\pm 1'$		单位 UNIT: mm 比例 SCALE: 1:1 型号 SIZE: A4	名称 PART NAME ZCA-1BP 双螺母插座 ZCA-1BP Double nut socket
FIRST ANGLE PROJECTION	REV/版本 A1	SHEET: 1 OF 1	型号 PART NAME ZCA. 1BP. 316. KWKL