

### 1. Product main performance/产品主要性能指标:

Operating Temperature/工作温度:  $-55^{\circ}\text{C} \sim 150^{\circ}\text{C}$

Humidity(max)/最大潮湿:  $\leq 95\%$  [at 60 deg C / 140 F]

Shielding /屏蔽性能: 75dB(10MHz) 40dB(1GHz)

Salt Spray Corrosion/盐雾: 96hr

### Mechanical data/机械特性:

Vibration/振动: 15g[10Hz~2000Hz]

Shock Resistance/冲击: 100g[6ms]

Endurance (Shell)/机械寿命: 5000+

### 2. 电气性能

Insert Configuration/针芯配置: 1BP. 308 8Low Voltage

Pin Size/接触件直径:  $\phi 0.7\text{mm}$

Contact resistance接触电阻:  $\leq 12.5\text{m}\Omega$

Insulation resistance/绝缘电阻: 5000M $\Omega$  (测试电压500V(DC))

Withstand voltage/耐电压: 950V(AC)

Rated working current额定工作电流: 5.0A

### Other Specification/其它规格:

Contact PIN/接触体: Gold plated Tin bronze/锡青铜镀金

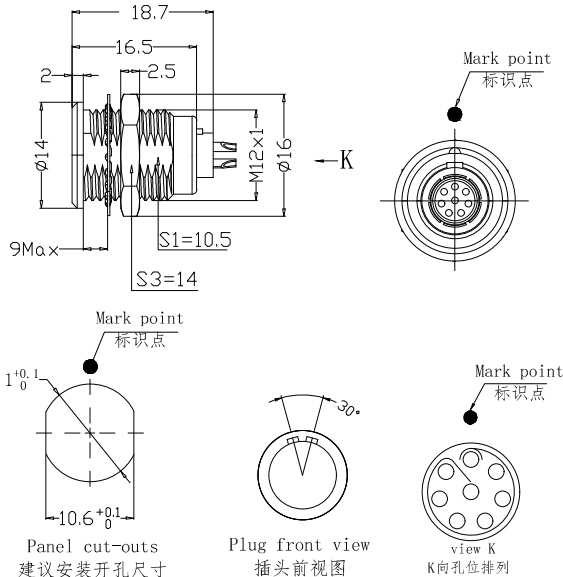
Housing Material/外壳材质: PEEK

Other Shell Material/其它壳体材质: 铜镀镍

Insulator material/绝缘体材料: PEEK

IP Rating/防护等级: IP50

\*ALL MATERIALS ARE RoHS COMPLIANT/所有材料均符合RoHS要求.



Panel cut-outs  
建议安装开孔尺寸

Plug front view  
插头前视图

view K  
K向孔位排列

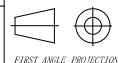
DRAWN BY:  
绘图: PDG3 2024.05.28  
CHECKED BY:  
审核: ZOI 2024.05.28  
APPROVED BY:  
批准: PDG5 2024.05.28

GENERAL TOLERANCE  
(UNLESS SPECIFIED)

$\leq 10 \pm 0.1$   
 $< 10^{\circ} \leq 20^{\circ} \pm 0.15$   
 $> 20^{\circ} \leq 50^{\circ} \pm 0.3$   
Angle  $\pm 1^{\circ}$



美易连电子科技(深圳)有限公司  
Meiyilian electronic technology (shenzhen) Co., Ltd.



FIRST ANGLE PROJECTION

单位  
(UNIT: mm)  
比例  
SCALE: 1: 1

名称  
PART NAME

ZGA-1BP固定式插座  
ZGA-1BP Fixed socket

型号  
PART NAME

ZGA. 1BP. 308. KWKL

REV/版本 A1

SHEET: 1 OF 1