

1) Product main performance/产品主要性能指标:

Operating Temperature/工作温度: $-55^{\circ}\text{C} \sim 150^{\circ}\text{C}$

Humidity(max)/最大潮湿: $<95\%$ [at $60^{\circ}\text{C} / 140^{\circ}\text{F}$]

Shielding /屏蔽性能: $75\text{dB}(10\text{MHz}) \quad 40\text{dB}(1\text{GHz})$

Salt Spray Corrosion/盐雾: 96hr

Mechanical data/机械特性:

Vibration/振动: $15\text{g}[10\text{Hz} \sim 2000\text{Hz}]$

Shock Resistance/冲击: $100\text{g}[6\text{ms}]$

Endurance (Shell)/机械寿命: 5000+

2. 电气性能

Insert Configuration/针芯配置: 1BP. 302 2Low Voltage

Pin Size/接触件直径: $\phi 1.3\text{mm}$

Contact resistance接触电阻: $\leq 5\text{m}\Omega$

Insulation resistance/绝缘电阻: $5000\text{M}\Omega$ (测试电压 $500\text{V}(\text{DC})$)

Withstand voltage/耐电压: $1500\text{V}(\text{AC})$

Rated working current额定工作电流: 15.0A

Other Specification/其它规格:

Contact PIN/接触体: Gold plated Tin bronze/锡青铜镀金

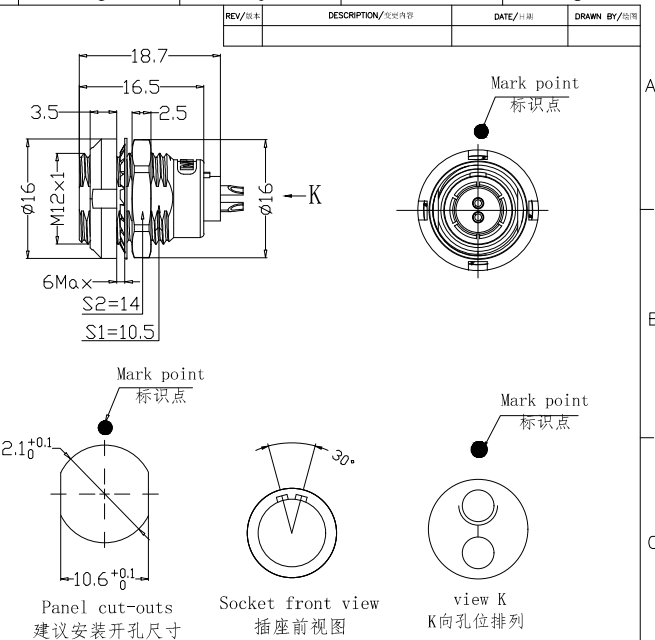
Housing Material/外壳材质: PEEK

Other Shell Material/其它壳体材质: 铜电镀

Insulator material/绝缘体材料: PPS

IP Rating/防护等级: IP50

*ALL MATERIALS ARE RoHS COMPLIANT/所有材料均符合RoHS要求.



Panel cut-outs
建议安装开孔尺寸

Socket front view
插座前视图

view K
K向孔位排列

DRAWN BY: 绘图: P003	2024. 05. 28
CHECKED BY: 审核: Z01	2024. 05. 28
APPROVED BY: 核准: P005	2024. 05. 28
GENERAL TOLERANCE (UNLESS SPECIFIED)	
$\leq 10 \pm 0.1$	
$< 10^{\circ} \leq 20^{\circ} \pm 0.15$	
$< 20^{\circ} \leq 50^{\circ} \pm 0.3$	
Angle $\pm 1^{\circ}$	

		美易连电子科技(深圳)有限公司 Meiyilian electronic technology (shenzhen) Co., Ltd.	
		名称 PART NAME	ZCA-1BP 双螺母插座 ZCA-1BP Double nut socket
单位 UNIT: mm	比例 SCALE: 1: 1	型号 PART NAME	ZCA. 1BP. 302. KWLL
第一角投影 FIRST ANGLE PROJECTION	尺寸 SIZE: A	REV/版本 A1	SHEET: 1 OF 1