

1. Product main performance/产品主要性能指标:

Operating Temperature/工作温度 : -55°C~150°C
 Humidity(max)/最大潮湿 : <=95% [at 60 deg C / 140 F]
 Shielding /屏蔽性能 : 75dB(10MHz) 40dB(1GHz)
 Salt Spray Corrosion/盐雾 : 96hr

Mechanical data/机械特性:

Vibration/振动 : 15g[10Hz~2000Hz]
 Shock Resistance/冲击 : 100g[6ms]
 Endurance (Shell)/机械寿命 : 5000+
 Cable/配接电缆: $\phi 2.1\text{mm}-\phi 3.0\text{mm}$

2. 电气性能

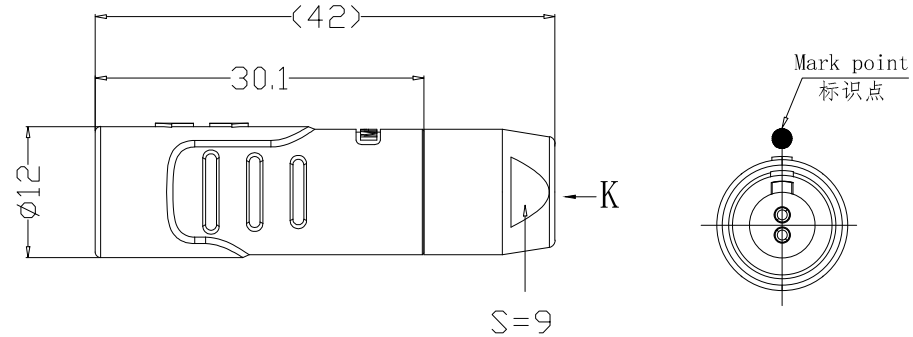
Insert Configuration/针芯配置: 1BP. 302 2Low Voltage
 Pin Size/接触件直径: $\phi 1.3\text{mm}$
 Contact resistance接触电阻: $\leq 5\text{m}\Omega$
 Insulation resistance/绝缘电阻: $5000\text{M}\Omega$ (测试电压500V(DC))
 Withstand voltage/耐电压: 1500V(AC)
 Rated working current额定工作电流: 15.0A

Other Specification/其它规格:

Contact PIN/接触体 : Gold plated Tin bronze/锡青铜镀金
 Housing Material/外壳材质 : PEEK
 Other Shell Material/其它壳体材质: 铜镀镍
 Insulator material/绝缘体材料: PPS
 IP Rating/防护等级 : IP50

*ALL MATERIALS ARE RoHS COMPLIANT/所有材料均符合RoHS要求.

REV/版本	DESCRIPTION/变更内容	DATE/日期	DRAWN BY/绘图



Plug front view
插头前视图

view K
K向孔位排列

<p>DRAWN BY: 绘图: PD03 2024.05.28</p> <p>CHECKED BY: 审核: Z01 2024.05.28</p> <p>APPROVED BY: 核准: PD05 2024.05.28</p>	<p>美易连电子科技(深圳)有限公司 Meiyilian electronic technology (shenzhen) Co., Ltd.</p>	<p>单位 UNTT: mm</p>	<p>名称 PART NAME</p>	<p>DHA-1BP浮动式插座(带护套式尾帽) DHA-1BP Floating socket (with jacketed tail cap)</p>
<p>GENERAL TOLERANCE (UNLESS SPECIFIED)</p> <p>$\leq 10 \pm 0.1$</p> <p>$< 10 \sim \leq 20 \pm 0.15$</p> <p>$< 20 \sim \leq 50 \pm 0.3$</p> <p>Angle $\pm 1^\circ$</p>		<p>比例 SCALE: 1: 1</p>	<p>型号 PART NAME</p>	<p>DHA. 1BP. 302. KWLLD32</p>
<p>REV/版本</p>	<p>A1</p>	<p>SIZE: A4</p>	<p>SHEET: 1 OF 1</p>	