

1) Product main performance/产品主要性能指标:

Operating Temperature/工作温度: $-55^{\circ}\text{C} \sim 150^{\circ}\text{C}$
 Humidity(max)/最大潮湿: $<95\%$ [at $60^{\circ}\text{C} / 140^{\circ}\text{F}$]
 Shielding /屏蔽性能: $75\text{dB}(10\text{MHz}) \quad 40\text{dB}(1\text{GHz})$
 Salt Spray Corrosion/盐雾: 96hr

Mechanical data/机械特性:

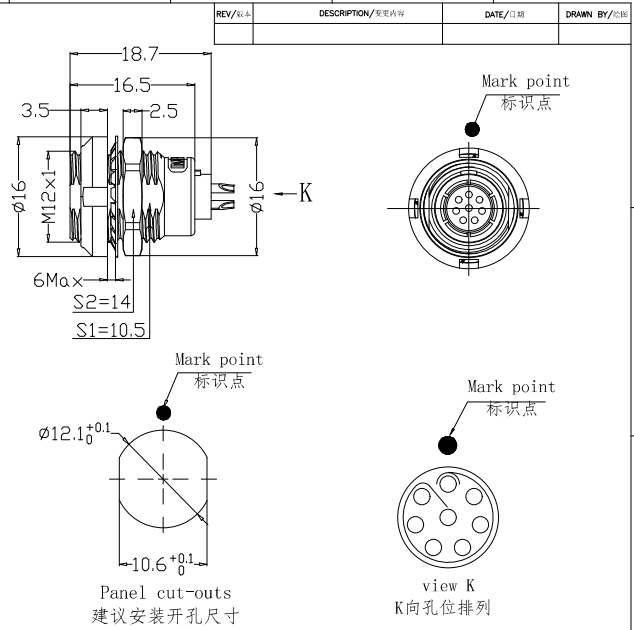
Vibration/振动: $15\text{g}[10\text{Hz} \sim 2000\text{Hz}]$
 Shock Resistance/冲击: $100\text{g}[6\text{ms}]$
 Endurance (Shell)/机械寿命: 5000+


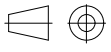
2. 电气性能

Insert Configuration/针芯配置: 1BP. 308 8Low Voltage
 Pin Size/接触件直径: $\phi 0.7\text{mm}$
 Contact resistance接触电阻: $\leq 12.5\text{m}\Omega$
 Insulation resistance/绝缘电阻: $5000\text{M}\Omega$ (测试电压500V(DC))
 Withstand voltage/耐电压: 950V(AC)
 Rated working current额定工作电流: 5.0A

Other Specification/其它规格:

Contact PIN/接触体: Gold plated Tin bronze/锡青铜镀金
 Housing Material/外壳材质: PEEK
 Other Shell Material/其它壳体材质: 铜镍镍
 Insulator material/绝缘体材料: PEEK
 IP Rating/防护等级: IP50
 *ALL MATERIALS ARE RoHS COMPLIANT/所有材料均符合RoHS要求.



DRAWN BY: 绘图: P003 CHECKED BY: 审核: Z01 APPROVED BY: 核准: P005 2024. 05. 28 2024. 05. 28 2024. 05. 28	 美易连电子科技(深圳)有限公司 Meiyilian electronic technology(shenzhen)Co.,Ltd.	单位 UNIT: mm 比例 SCALE: 1: 1 名称 PART NAME ZCG-1BP 双螺母插座 ZCG-1BP Double nut socket
GENERAL TOLERANCE (UNLESS SPECIFIED) $\leq 10 \pm 0.1$ $< 10^{\circ} \leq 20 \pm 0.15$ $< 20^{\circ} \leq 60 \pm 0.3$ Angle $\pm 1^{\circ}$	 FIRST ANGLE PROJECTOR	型号 PART NAME ZCG. 1BP. 308. KWKL
REV/版本 A1	SHEET: 1 OF 1	SHEET: 1 OF 1