

| | | | |
|--------|------------------|---------|-------------|
| REV/版本 | DESCRIPTION/变更内容 | DATE/日期 | DRAWN BY/绘图 |
| | | | |

1. Product main performance/产品主要性能指标:

Operating Temperature/工作温度 : -55°C~200°C
 Humidity(max)/最大潮湿 : <=95% [at 60 deg C / 140 F]
 Shielding /屏蔽性能 : 75dB(10MHz) 40dB(1GHz)
 Salt Spray Corrosion/盐雾 : 96hr
 P op (max)/最大环境压力 : 60 bar (870 psi)

Mechanical data/机械特性:

Vibration/振动 : 15g[10Hz~2000Hz]
 Shock Resistance/冲击 : 100g[6ms]
 Endurance (Shell)/机械寿命 : 5000+

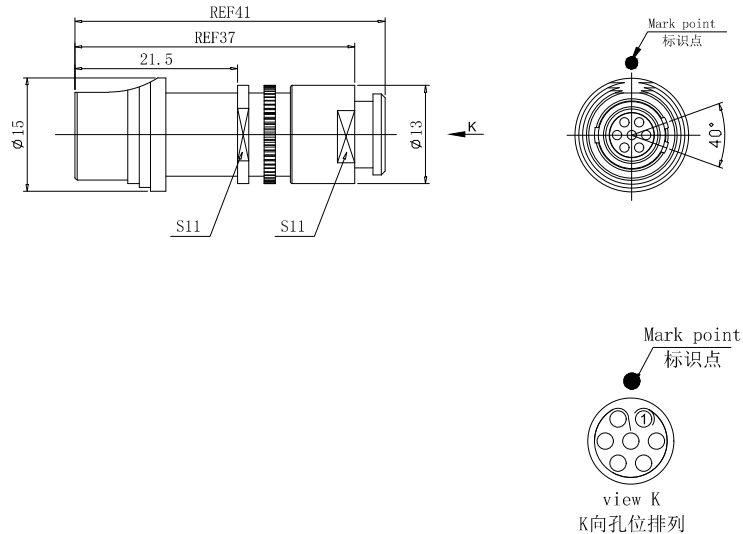
2. 电气性能

Insert Configuration/针芯配置:1U.307 7Low Voltage
 Pin Size/接触件直径:Ø0.7mm
 Contact resistance接触电阻:≤12.5mΩ
 Insulation resistance/绝缘电阻:5000MΩ (测试电压500V(DC))
 Withstand voltage/耐电压:875V(AC)
 Rated working current额定工作电流:7.0A
 Cable/配接电缆:Ø4.1mm-Ø5.0mm

Other Specification/其它规格:

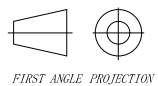
Contact PIN/接触体 :Gold-Tin bronze plating/锡青铜镀金
 Housing Material/外壳材质 :Pearl-plated chrome brass/黄铜镀珍珠铬
 Other metal spare parts/其余金属件 : nickel plated brass/黄铜镀镍
 Insulator material/绝缘材料: PPS
 IP Rating/防护等级 :IP68(尾部密封防护处理)

*ALL MATERIALS ARE RoHS COMPLIANT/所有材料均符合RoHS要求.



美易连电子科技(深圳)有限公司
 Meiyilian electronic technology (shenzhen) Co., Ltd.

| | |
|-----------------------------------------|--------------|
| DRAWN BY: 绘图:PD03 | 2024. 05. 28 |
| CHECKED BY: 审核:Z01 | 2024. 05. 28 |
| APPROVED BY: 核准:PD05 | 2024. 05. 28 |
| GENERAL TOLERANCE (UNLESS SPECIFIED) | |
| ≤10 ±0.1 | |
| <10° ≤20 ±0.15 | |
| <20° ≤50 ±0.3 | |
| Angle ±1° | |



FIRST ANGLE PROJECTION

| | | |
|-------------------|-----------------|---------------------------------------------------------------------------|
| 单位 UNIT: mm | 名称 PART NAME | DHA-1U浮动式插座(带护套式尾帽) DHA-1U Floating socket (with jacketed tail cap) |
| 比例 SCALE: 1: 1 | 型号 PART NAME | DHA. 1U. 307. CLLD52Z |
| SIZE: A4 | | |
| SHEET: 1 OF 1 | | |