

|        |                  |         |             |
|--------|------------------|---------|-------------|
| REV/版本 | DESCRIPTION/变更内容 | DATE/日期 | DRAWN BY/绘图 |
|        |                  |         |             |

1. Product main performance/产品主要性能指标:

Operating Temperature/工作温度 : -55℃~200℃  
 Humidity(max)/最大潮湿 : <=95% [at 60 deg C / 140 F]  
 Shielding /屏蔽性能 : 75dB(10MHz) 40dB(1GHz)  
 Salt Spray Corrosion/盐雾 : 96hr  
 P op (max)/最大环境压力 : 60 bar (870 psi)

Mechanical data/机械特性:

Vibration/振动 : 15g[10Hz~2000Hz]  
 Shock Resistance/冲击 : 100g[6ms]  
 Endurance (Shell)/机械寿命 : 5000+

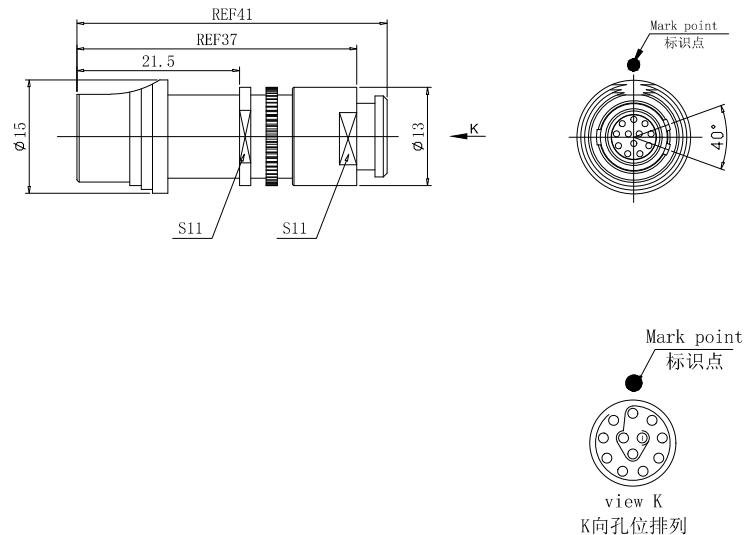
2. 电气性能

Insert Configuration/针芯配置:1U.312 12Low Voltage  
 Pin Size/接触件直径:Ø0.5mm  
 Contact resistance接触电阻:≤15mΩ  
 Insulation resistance/绝缘电阻:5000MΩ (测试电压500V(DC))  
 Withstand voltage/耐电压:400V(AC)  
 Rated working current额定工作电流:2.0A  
 Cable/配接电缆:Ø3.1mm-Ø4.0mm

Other Specification/其它规格:

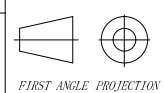
Contact PIN/接触体 :Gold-Tin bronze plating/锡青铜镀金  
 Housing Material/外壳材质 :Pearl-plated chrome brass/黄铜镀珍珠铬  
 Other metal spare parts/其余金属件 : nickel plated brass/黄铜镀镍  
 Insulator material/绝缘材料: PPS  
 IP Rating/防护等级 :IP68(尾部密封防护处理)

\*ALL MATERIALS ARE RoHS COMPLIANT/所有材料均符合RoHS要求.



美易连电子科技(深圳)有限公司  
 Meiyilian electronic technology (shenzhen) Co., Ltd.

|   |              |
|---|--------------|
| DRAWN BY:<br>绘图:PD03                    | 2024. 05. 28 |
| CHECKED BY:<br>审核:Z01                   | 2024. 05. 28 |
| APPROVED BY:<br>核准:PD05                 | 2024. 05. 28 |
| GENERAL TOLERANCE<br>(UNLESS SPECIFIED) |              |
| ≤10 ±0.1                                |              |
| <10° ≤20 ±0.15                          |              |
| <20° ≤50 ±0.3                           |              |
| Angle ±1°                               |              |



FIRST ANGLE PROJECTION

单位  
UNIT: mm

比例  
SCALE: 1: 1

SIZE: A4

SHEET: 1 OF 1

|                 |   |
|-----------------|---|
| 名称<br>PART NAME | DHA-1U浮动式插座(带护套式尾帽)<br>DHA-1U Floating socket<br>(with jacketed tail cap) |
| 型号<br>PART NAME | DHA. 1U. 312. CLLD42Z   |

|        |    |
|--------|----|
| REV/版本 | A1 |
|--------|----|