

REV/版本	DESCRIPTION/变更内容	DATE/日期	DRAWN BY/绘图

1. Product main performance/产品主要性能指标:

Operating Temperature/工作温度 : -55°C~200°C  
 Humidity(max)/最大潮湿 : <=95% [at 60 deg C / 140 F]  
 Shielding /屏蔽性能 : 75dB(10MHz) 40dB(1GHz)  
 Salt Spray Corrosion/盐雾 : 96hr  
 P op (max)/最大环境压力 : 60 bar (870 psi)

Mechanical data/机械特性:

Vibration/振动 : 15g[10Hz~2000Hz]  
 Shock Resistance/冲击 : 100g[6ms]  
 Endurance (Shell)/机械寿命 : 5000+

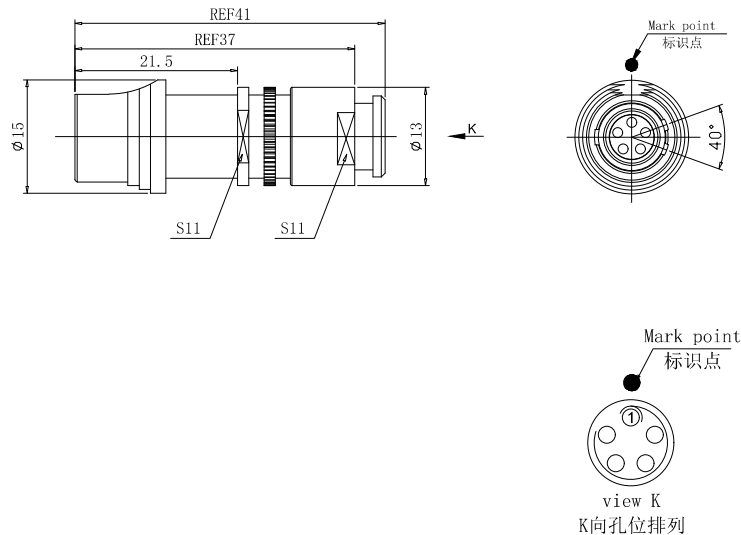
2. 电气性能

Insert Configuration/针芯配置:1U.305 5Low Voltage  
 Pin Size/接触件直径:Ø0.9mm  
 Contact resistance接触电阻:≤9.0mΩ  
 Insulation resistance/绝缘电阻:5000MΩ (测试电压500V(DC))  
 Withstand voltage/耐电压:875V(AC)  
 Rated working current额定工作电流:9.0A  
 Cable/配接电缆:Ø4.4mm-Ø5.3mm

Other Specification/其它规格:

Contact PIN/接触体 :Gold-Tin bronze plating/锡青铜镀金  
 Housing Material/外壳材质 :Pearl-plated chrome brass/黄铜镀珍珠铬  
 Other metal spare parts/其余金属件 : nickel plated brass/黄铜镀镍  
 Insulator material/绝缘材料: PPS  
 IP Rating/防护等级 :IP68(尾部密封防护处理)

\*ALL MATERIALS ARE RoHS COMPLIANT/所有材料均符合RoHS要求.



美易连电子科技(深圳)有限公司  
 Meiyilian electronic technology (shenzhen) Co., Ltd.

DRAWN BY: 2024.05.28  
 绘图:PD03  
 CHECKED BY: 2024.05.28  
 审核:Z01  
 APPROVED BY: 2024.05.28  
 核准:PD05

GENERAL TOLERANCE (UNLESS SPECIFIED)  
 ≤10 ±0.1  
 <10° ≤20 ±0.15  
 <20° ≤50 ±0.3  
 Angle ±1°



FIRST ANGLE PROJECTION

单位  
 UNIT: mm  
 比例  
 SCALE: 1:1

SIZE: A4  
 SHEET: 1 OF 1

名称 PART NAME	DHA-1U浮动式插座(带护套式尾帽) DHA-1U Floating socket (with jacketed tail cap)
型号 PART NAME	DHA. 1U. 305. CLLD55Z