

## 1. Product main performance/产品主要性能指标:

Operating Temperature/工作温度:  $-55^{\circ}\text{C} \sim 150^{\circ}\text{C}$   
 Humidity(max)/最大潮湿:  $\leq 95\%$  [at  $60^{\circ}\text{C} / 140^{\circ}\text{F}$ ]  
 Shielding /屏蔽性能:  $75\text{dB}(10\text{MHz}) \quad 40\text{dB}(1\text{GHz})$   
 Salt Spray Corrosion/盐雾: 96hr

### Mechanical data/机械特性:

Vibration/振动:  $15\text{g}[10\text{Hz} \sim 2000\text{Hz}]$   
 Shock Resistance/冲击:  $100\text{g}[6\text{ms}]$   
 Endurance (Shell)/机械寿命: 5000+  
 Cable/配接电缆:  $\phi 4.1\text{mm} - \phi 5.0\text{mm}$

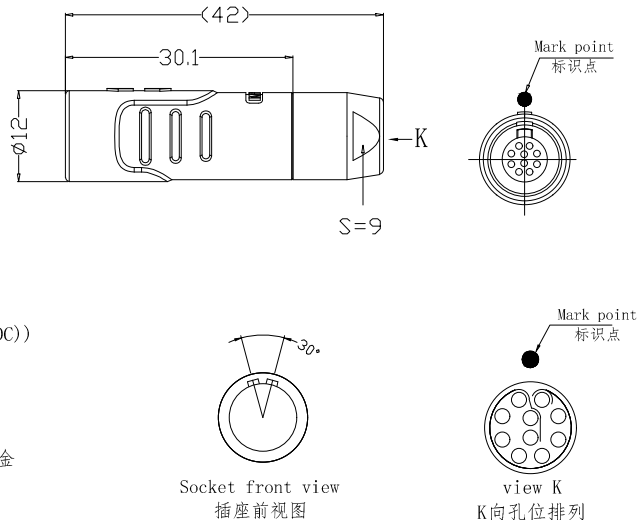
## 2. 电气性能

Insert Configuration/针芯配置: 1BP, 310 10Low Voltage  
 Pin Size/接触件直径:  $\phi 0.5\text{mm}$   
 Contact resistance接触电阻:  $\leq 15\text{m}\Omega$   
 Insulation resistance/绝缘电阻:  $5000\text{M}\Omega$  (测试电压 $500\text{V}(\text{DC})$ )  
 Withstand voltage/耐电压:  $900\text{V}(\text{AC})$   
 Rated working current额定工作电流:  $2.5\text{A}$

### Other Specification/其它规格:

Contact PIN/接触体: Gold plated Tin bronze/锡青铜镀金  
 Housing Material/外壳材质: PEEK  
 Other Shell Material/其它壳体材质: 铜镀镍  
 Insulator material/绝缘体材料: PPS  
 IP Rating/防护等级: IP50

\*ALL MATERIALS ARE RoHS COMPLIANT/所有材料均符合RoHS要求.





## 3. 尺寸规格

Unit: mm

Unit: mm

Unit: mm

Unit: mm

DRAWN BY: 绘图: P003		2024.05.28		 <b>美易连电子科技(深圳)有限公司</b> Meiyilian electronic technology (shenzhen) Co., Ltd.	
CHECKED BY: 审核: Z01		2024.05.28			
APPROVED BY: 核准: P003		2024.05.28			
GENERAL TOLERANCE (UNLESS SPECIFIED) $\leq 10 \quad \pm 0.1$ $< 10 \sim \leq 20 \quad \pm 0.15$ $< 20 \sim \leq 50 \quad \pm 0.3$ Angle $\pm 1'$				 FIRST ANGLE PROJECTION	单位 UNIT: mm 名称 PART NAME DHA-1BP浮动式插座 (不带护套式尾帽) DHA-1BP Floating socket (without jacketed tail cap)
REV/版本		A1		比例 SCALE: 1:1 型号 PART NAME DHA, 1BP, 310, KWLLD52	SHEET: 1 OF 1