

1. Product main performance/产品主要性能指标:

Operating Temperature/工作温度: $-55^{\circ}\text{C}\sim 150^{\circ}\text{C}$
 Humidity(max)/最大潮湿: $\leq 95\%$ [at $60\text{ deg C} / 140\text{ F}$]
 Shielding /屏蔽性能: $75\text{dB}(10\text{MHz})\ 40\text{dB}(1\text{GHz})$
 Salt Spray Corrosion/盐雾: 96hr

Mechanical data/机械特性:

Vibration/振动: $15\text{g}[10\text{Hz}\sim 2000\text{Hz}]$
 Shock Resistance/冲击: $100\text{g}[6\text{ms}]$
 Endurance (Shell)/机械寿命: 5000+

2. 电气性能

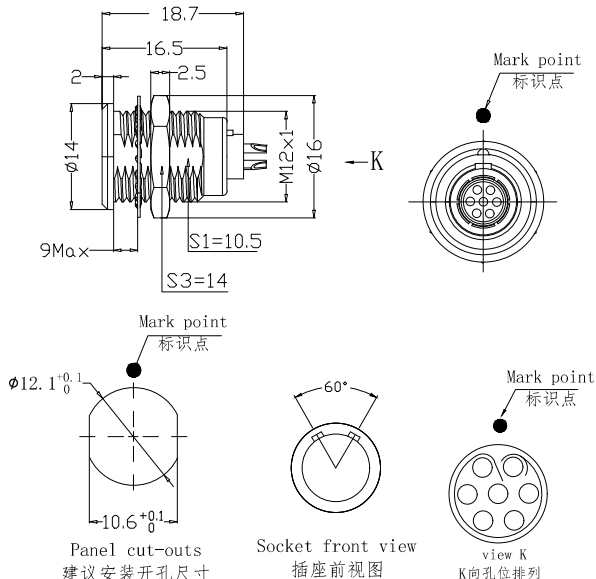
Insert Configuration/针芯配置: 1BP. 307 7Low Voltage
 Pin Size/接触件直径: $\phi 0.7\text{mm}$
 Contact resistance接触电阻: $\leq 12.5\text{m}\Omega$
 Insulation resistance/绝缘电阻: $5000\text{M}\Omega$ (测试电压500V(DC))
 Withstand voltage/耐电压: 950V(AC)
 Rated working current额定工作电流: 7.0A

Other Specification/其它规格:

Contact PIN/接触体: Gold plated Tin bronze/锡青铜镀金
 Housing Material/外壳材质: PEEK
 Other Shell Material/其它壳体材质: 铜镀镍
 Insulator material/绝缘体材料: PEEK
 IP Rating/防护等级: IP50

*ALL MATERIALS ARE RoHS COMPLIANT/所有材料均符合RoHS要求.

REV/版本	DESCRIPTION/变更内容	DATE/日期	DRAWN BY/设计

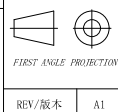


DRAWN BY:
绘图: PDD3 2024.05.28
 CHECKED BY:
审核: ZD1 2024.05.28
 APPROVED BY:
核准: PDD5 2024.05.28



美易连电子科技(深圳)有限公司
 Meiyilian electronic technology(shenzhen)Co.,Ltd.

GENERAL TOLERANCE
(UNLESS SPECIFIED)
 $\leq 10\ \pm 0.1$
 $< 10^{\circ} \sim 20\ \pm 0.15$
 $< 20^{\circ} \sim 50\ \pm 0.3$
 Angle $\pm 1^{\circ}$



单位 UNIT: mm	名称 PART NAME	ZGB-1BP固定式插座 ZGB-1BP Fixed socket
比例 SCALE: 1:1	型号 PART NAME	ZGB. 1BP. 307. KWKL
尺寸 SIZE: M4	REV/版本	A1
SHEET: 1 OF 1		