

1. Product main performance/产品主要性能指标:

Operating Temperature/工作温度: $-55^{\circ}\text{C} \sim 150^{\circ}\text{C}$
 Humidity(屏)/最大潮湿: $<95\%$ [at $60 \text{ deg C} / 140 \text{ F}$]
 Shielding /屏蔽性能: $75\text{dB}(10\text{MHz})$ $40\text{dB}(1\text{GHz})$
 Salt Spray Corrosion/盐雾: 96hr

Mechanical data/机械特性:

Vibration/振动: $15\text{g}[10\text{Hz} \sim 2000\text{Hz}]$
 Shock Resistance/冲击: $100\text{g}[6\text{ms}]$
 Endurance (Shell)/机械寿命: $5000+$

2. 电气性能

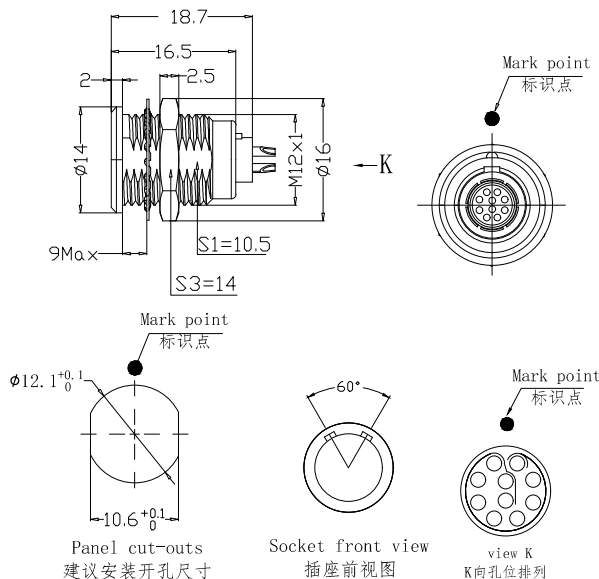
Insert Configuration/针芯配置: $1\text{BP}.310$ 10Low Voltage
 Pin Size/接触件直径: $\phi 0.5\text{mm}$
 Contact resistance接触电阻: $\leq 15\text{m}\Omega$
 Insulation resistance/绝缘电阻: $5000\text{M}\Omega$ (测试电压 $500\text{V}(\text{DC})$)
 Withstand voltage/耐电压: $900\text{V}(\text{AC})$
 Rated working current额定工作电流: 2.5A

Other Specification/其它规格:

Contact PIN/接触体: Gold plated Tin bronze/锡青铜镀金
 Housing Material/外壳材质: PEEK
 Other Shell Material/其它壳体材质: 铜电镀
 Insulator material/绝缘体材料: PEEK
 IP Rating/防护等级: IP50

*ALL MATERIALS ARE RoHS COMPLIANT/所有材料均符合RoHS要求.

REV/版本	DESCRIPTION/变更内容	DATE/日期	DRAWN BY/绘图



Panel cut-outs
建议安装开孔尺寸

Socket front view
插座前视图

view K
K向孔位排列

DRAWN BY: 绘图: P003	2024. 05. 28		美易连电子科技(深圳)有限公司 Meiyilian electronic technology (shenzhen) Co., Ltd.		
CHECKED BY: 审核: Z01	2024. 05. 28			名称 PART NAME	ZGB-1BP固定式插座 ZGB-1BP Fixed socket
APPROVED BY: 核准: P003	2024. 05. 28		第一角投影 FIRST ANGLE PROJECTION	型号 PART NAME	ZGB. 1BP. 310. KWKL
GENERAL TOLERANCE (UNLESS SPECIFIED)		单位 UNIT: mm	比例 SCALE: 1: 1	尺寸 SIZE: A4	
≤ 10 ± 0.1 $< 10^{\circ} \leq 20$ ± 0.15 $< 20^{\circ} \leq 50$ ± 0.3 Angle $\pm 1^{\circ}$	REV/版本 A1	SHEET: 1 OF 1	图例 SCALE: 1: 1		