

1. Product main performance/产品主要性能指标:

Operating Temperature/工作温度: $-55^{\circ}\text{C}\sim 150^{\circ}\text{C}$
 Humidity(max)/最大潮湿: $\leq 95\%$ [at 60 deg C / 140 F]
 Shielding /屏蔽性能: 75dB(10MHz) 40dB(1GHz)
 Salt Spray Corrosion/盐雾: 96hr

Mechanical data/机械特性:

Vibration/振动: 15g[10Hz~2000Hz]
 Shock Resistance/冲击: 100g[6ms]
 Endurance (Shell)/机械寿命: 5000+

2. 电气性能

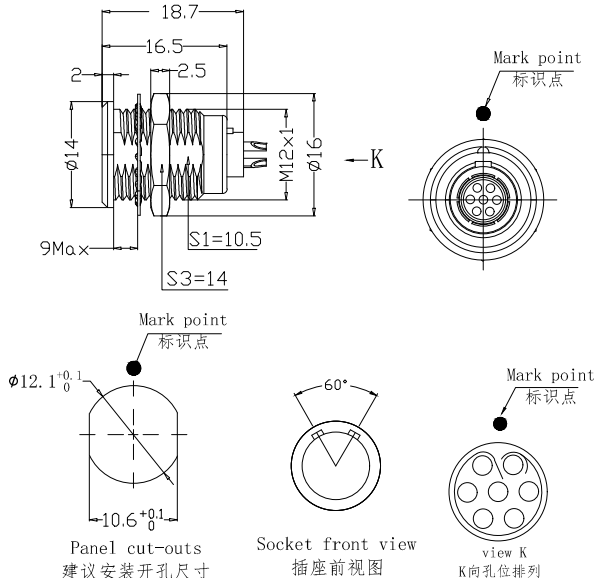
Insert Configuration/针芯配置: 1BP. 307 7Low Voltage
 Pin Size/接触件直径: $\phi 0.7\text{mm}$
 Contact resistance接触电阻: $\leq 12.5\text{m}\Omega$
 Insulation resistance/绝缘电阻: 5000M Ω (测试电压500V(DC))
 Withstand voltage/耐电压: 950V(AC)
 Rated working current额定工作电流: 7.0A

Other Specification/其它规格:

Contact PIN/接触体: Gold plated Tin bronze/锡青铜镀金
 Housing Material/外壳材质: PEEK
 Other Shell Material/其它壳体材质: 铜镀镍
 Insulator material/绝缘体材料: PPS
 IP Rating/防护等级: IP50

*ALL MATERIALS ARE RoHS COMPLIANT/所有材料均符合RoHS要求.

REV/版本	DESCRIPTION/变更内容	DATE/日期	DRAWN BY/设计



Panel cut-outs
建议安装开孔尺寸

Socket front view
插座前视图

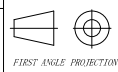
view K
K向孔位排列

DRAWN BY:
绘图: PDD3 2024.05.28
 CHECKED BY:
审核: ZDI 2024.05.28
 APPROVED BY:
核准: PDD5 2024.05.28



美易连电子科技(深圳)有限公司
 Meiyilian electronic technology(shenzhen)Co.,Ltd.

GENERAL TOLERANCE
(UNLESS SPECIFIED)
 $\leq 10 \pm 0.1$
 $< 10^{\circ} \sim 20^{\circ} \pm 0.15$
 $< 20^{\circ} \sim 50^{\circ} \pm 0.3$
 Angle $\pm 1^{\circ}$



REV/版本 A1

单位: mm
 比例: 1:1
 名称: PART NAME
 型号: PART NAME
 SHEET: 1 OF 1

名称: ZGB-1BP固定式插座
 ZGB-1BP Fixed socket
 型号: ZGB. 1BP. 307. KWLL