

1. Product main performance/产品主要性能指标:

Operating Temperature/工作温度 : -55℃~150℃
 Humidity(max)/最大潮湿 : <=95% [at 60 deg C / 140 F]
 Shielding /屏蔽性能 : 75dB(10MHz) 40dB(1GHz)
 Salt Spray Corrosion/盐雾 : 96hr

Mechanical data/机械特性:

Vibration/振动 : 15g[10Hz~2000Hz]
 Shock Resistance/冲击 : 100g[6ms]
 Endurance (Shell)/机械寿命 : 5000+
 Cable/配接电缆: $\phi 2.1\text{mm}-\phi 3.0\text{mm}$

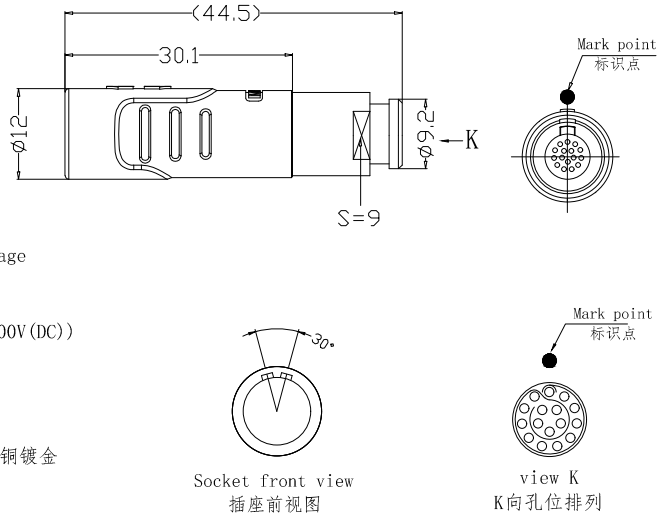
2. 电气性能

Insert Configuration/针芯配置: 1BP. 316 16Low Voltage
 Pin Size/接触件直径: $\phi 0.5\text{mm}$
 Contact resistance接触电阻: $\leq 15\text{m}\Omega$
 Insulation resistance/绝缘电阻: $5000\text{M}\Omega$ (测试电压500V(DC))
 Withstand voltage/耐电压: 750V(AC)
 Rated working current额定工作电流: 1.5A

Other Specification/其它规格:

Contact PIN/接触体 : Gold plated Tin bronze/锡青铜镀金
 Housing Material/外壳材质 : PEEK
 Other Shell Material/其它壳体材质 : 铜镀镍
 Insulator material/绝缘体材料: PEEK
 IP Rating/防护等级 : IP50

*ALL MATERIALS ARE RoHS COMPLIANT/所有材料均符合RoHS要求.



Socket front view
插座前视图

view K
K向孔位排列

DRAWN BY:
绘图: P003 2024.05.28
 CHECKED BY:
审核: Z01 2024.05.28
 APPROVED BY:
批准: P005 2024.05.28



美易连电子科技(深圳)有限公司
 Meiyilian electronic technology (shenzhen) Co., Ltd.

	单位 UNIT: mm	名称	DHA-1BP浮动式插座(带护套式尾插)
	比例 SCALE: 1: 1	PART NAME	DHA-1BP Floating socket (with Jacketed tail cap)
	尺寸 SIZE: A1	型号	DHA. 1BP. 316. KWKLD32Z
REV/版本 A1	SHEET: 1 OF 1	PART NAME	

REV/版本	A1
--------	----