

### 1. Product main performance/产品主要性能指标:

Operating Temperature/工作温度:  $-55^{\circ}\text{C} \sim 150^{\circ}\text{C}$

Humidity(max)/最大潮湿:  $\leq 95\%$  [at  $60^{\circ}\text{C} / 140^{\circ}\text{F}$ ]

Shielding /屏蔽性能:  $75\text{dB}(10\text{MHz}) \quad 40\text{dB}(1\text{GHz})$

Salt Spray Corrosion/盐雾: 96hr

#### Mechanical data/机械特性:

Vibration/振动:  $15\text{g}[10\text{Hz} \sim 2000\text{Hz}]$

Shock Resistance/冲击:  $100\text{g}[6\text{ms}]$

Endurance (Shell)/机械寿命: 5000+

Cable/配接电缆:  $\phi 4.1\text{mm} - \phi 5.0\text{mm}$

### 2. 电气性能

Insert Configuration/针芯配置: 2BP. 308 8Low Voltage

Pin Size/接触件直径:  $\phi 0.9\text{mm}$

Contact resistance接触电阻:  $\leq 9\text{m}\Omega$

Insulation resistance/绝缘电阻:  $5000\text{M}\Omega$  (测试电压 $500\text{V}(\text{DC})$ )

Withstand voltage/耐电压:  $1500\text{V}(\text{AC})$

Rated working current额定工作电流:  $10.0\text{A}$

#### Other Specification/其它规格:

Contact PIN/接触体: Gold plated Tin bronze/锡青铜镀金

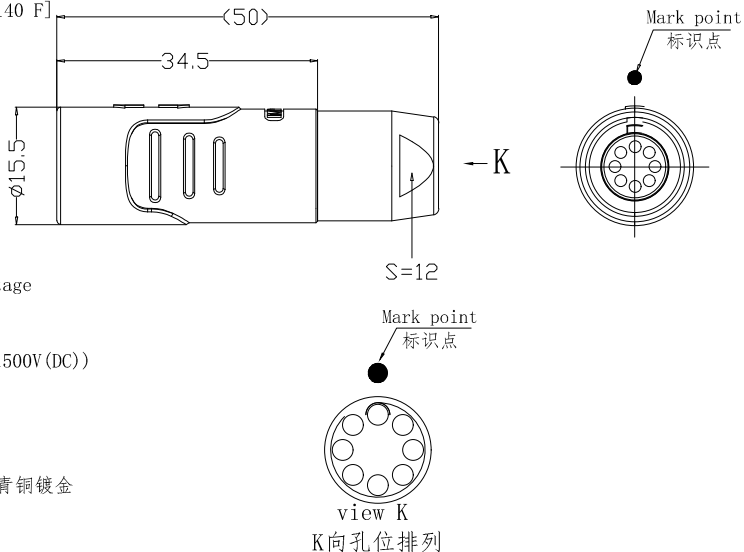
Housing Material/外壳材质: PEEK


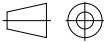
Other Shell Material/其它壳体材质: 铜镀镍

Insulator material/绝缘体材料: PPS

IP Rating/防护等级: IP50

\*ALL MATERIALS ARE RoHS COMPLIANT/所有材料均符合RoHS要求.



DRAWN BY: 绘图: P003      2024.05.28 CHECKED BY: 审核: Z01      2024.05.28 APPROVED BY: 核准: H005      2024.05.28		 美易连电子科技(深圳)有限公司 Meiyilian electronic technology (shenzhen) Co., Ltd.	
GENERAL TOLERANCE (UNLESS SPECIFIED) $\leq 10 \quad \pm 0.1$ $< 10^{\circ} \sim 20^{\circ} \quad \pm 0.15$ $< 20^{\circ} \sim 50^{\circ} \quad \pm 0.3$ Angle $\pm 1^{\circ}$		 FIRST ANGLE PROJECTION	单位 UNIT: mm 名称 PART NAME DHG-2BP浮动式插座 (不带护套式尾帽) DHG-2BP floating socket (without jacketed tail cap)
		比例 SCALE: 1: 1 型号 DHG. 2BP. 308. KWLLD52	SIZE: A4 SHEET: 1 OF 1
REV/版本	A1		

1

2

<https://www.mylconnector.com/>

4

5

<https://www.mylconnector.com/>

7

8