

1. Product main performance/产品主要性能指标:

Operating Temperature/工作温度 : -55℃~150℃  
 Humidity(max)/最大潮湿 : <=95% [at 60 deg C / 140 F]  
 Shielding /屏蔽性能 : 75dB(10MHz) 40dB(1GHz)  
 Salt Spray Corrosion/盐雾 : 96hr

Mechanical data/机械特性:

Vibration/振动 : 15g[10Hz~2000Hz]  
 Shock Resistance/冲击 : 100g[6ms]  
 Endurance (Shell)/机械寿命 : 5000+  
 Cable/配接电缆:  $\phi$ 3.1mm- $\phi$ 4.0mm

2. 电气性能

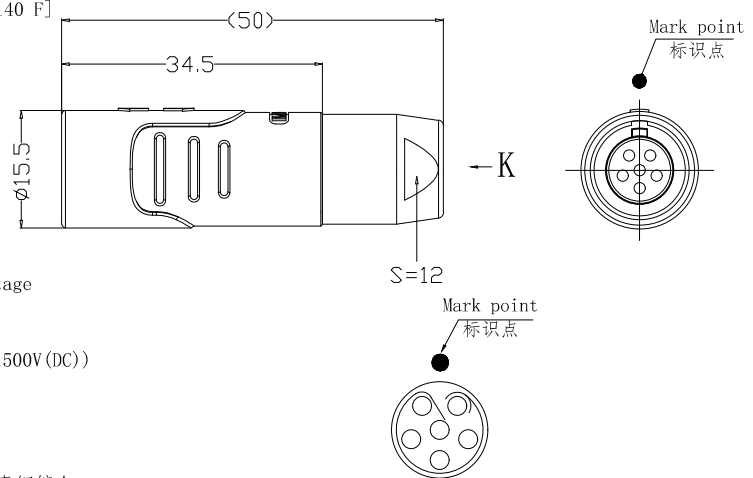
Insert Configuration/针芯配置: 2BP. 306 6Low Voltage  
 Pin Size/接触件直径:  $\phi$ 1.3mm  
 Contact resistance接触电阻:  $\leq$ 5m $\Omega$   
 Insulation resistance/绝缘电阻: 5000 $\Omega$  (测试电压500V(DC))  
 Withstand voltage/耐电压: 1350V(AC)  
 Rated working current额定工作电流: 12.0A

Other Specification/其它规格:

Contact PIN/接触体 : Gold plated Tin bronze/锡青铜镀金  
 Housing Material/外壳材质 : PEEK  
 Other Shell Material/其它壳体材质: 铜镀镍  
 Insulator material/绝缘体材料: PPS  
 IP Rating/防护等级 : IP50

\*ALL MATERIALS ARE RoHS COMPLIANT/所有材料均符合RoHS要求.

REV/版本	DESCRIPTION/变更内容	DATE/日期	DRAWN BY/谁画



view K  
K向孔位排列

DRAWN BY: 绘图: P003 CHECKED BY: 审核: Z01 APPROVED BY: 核准: P005	2024.05.28 2024.05.28 2024.05.28		美易连电子科技(深圳)有限公司 Meiyilian electronic technology(shenzhen)Co.,Ltd.	
GENERAL TOLERANCE (UNLESS SPECIFIED) $\leq$ 10 $\pm$ 0.1 $<10^\circ \leq$ 20 $\pm$ 0.15 $<20^\circ \leq$ 50 $\pm$ 0.3 Angle $\pm$ 1°			单位 (UNIT): mm 比例 (SCALE): 1:1 名称 (PART NAME)	DHG-2BP浮动式插座 (不带护套式尾帽) DHG-2BP Floating socket (without jacketed tail cap)
REV/版本	A1	SHEET: 1 OF 1	型号 (PART NAME)	DHG. 2BP. 306. KWLLD42