

1. Product main performance/产品主要性能指标:

Operating Temperature/工作温度: $-55^{\circ}\text{C} \sim 150^{\circ}\text{C}$
 Humidity(max)/最大潮湿: $\leq 95\%$ [at 60 deg C / 140 F]
 Shielding /屏蔽性能: 75dB(10MHz) 40dB(1GHz)
 Salt Spray Corrosion/盐雾: 96hr

Mechanical data/机械特性:

Vibration/振动: 15g[10Hz~2000Hz]
 Shock Resistance/冲击: 100g[6ms]
 Endurance (Shell)/机械寿命: 5000+

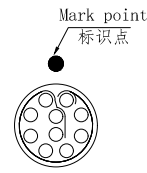
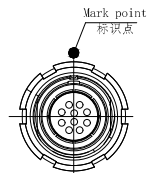
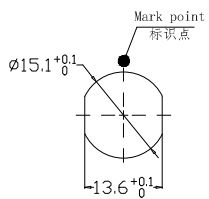
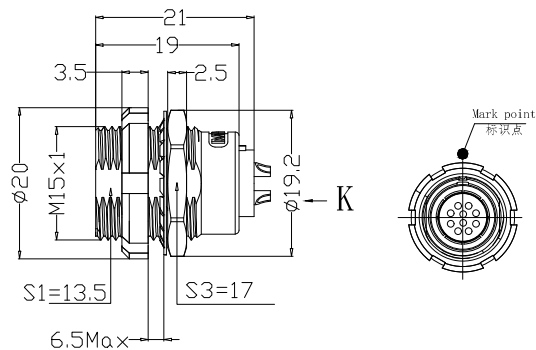
2. 电气性能

Insert Configuration/针芯配置: 2BP. 310 10Low Voltage
 Pin Size/接触件直径: $\phi 0.9\text{mm}$
 Contact resistance接触电阻: $\leq 9\text{m}\Omega$
 Insulation resistance/绝缘电阻: 5000 Ω (测试电压500V(DC))
 Withstand voltage/耐电压: 1450V(AC)
 Rated working current额定工作电流: 8.0A

Other Specification/其它规格:

Contact PIN/接触体: Gold plated Tin bronze/锡青铜镀金
 Housing Material/外壳材质: PEK
 Other Shell Material/其它壳体材质: 铜镀镍
 Insulator material/绝缘体材料: PPS
 IP Rating/防护等级: IP50
***ALL MATERIALS ARE RoHS COMPLIANT/所有材料均符合RoHS要求.**

REV/版本	DESCRIPTION/变更内容	DATE/日期	DRAWN BY/绘制



Panel cut-outs
建议安装开孔尺寸

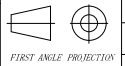
view K
K向孔位排列

DRAWN BY: 绘图: PDD5 2024.05.28
 CHECKED BY: 审核: Z01 2024.05.28
 APPROVED BY: 核准: PDD5 2024.05.28



美易连电子科技(深圳)有限公司
 Meiyilian electronic technology (shenzhen) Co., Ltd.

GENERAL TOLERANCE (UNLESS SPECIFIED)
 $\leq 10 \pm 0.1$
 $10 < \leq 20 \pm 0.15$
 $20 < \leq 50 \pm 0.3$
 Angle $\pm 1^{\circ}$



FIRST ANGLE PROJECTION

UNIT: mm	名称	ZCG-2BP 双螺母插座
比例	PART NAME	ZCG-2BP Double nut socket
SCALE: 1: 1	型号	ZCG. 2BP. 310. KWLL
SIZE: A4	PART NAME	
REV/版本	A1	SHEET: 1 OF 1