

# 1. Product main performance/产品主要性能指标:

Operating Temperature/工作温度:  $-55^{\circ}\text{C} \sim 150^{\circ}\text{C}$   
 Humidity(max)/最大潮湿:  $<=95\%$  [at 60 deg C / 140 F]  
 Shielding /屏蔽性能: 75dB(10MHz) 40dB(1GHz)  
 Salt Spray Corrosion/盐雾: 96hr

## Mechanical data/机械特性:

Vibration/振动:  $15\text{g}[10\text{Hz} \sim 2000\text{Hz}]$   
 Shock Resistance/冲击:  $100\text{g}[6\text{ms}]$   
 Endurance (Shell)/机械寿命: 5000+  
 Cable/配接电缆:  $\phi 7.1\text{mm} - \phi 8.0\text{mm}$

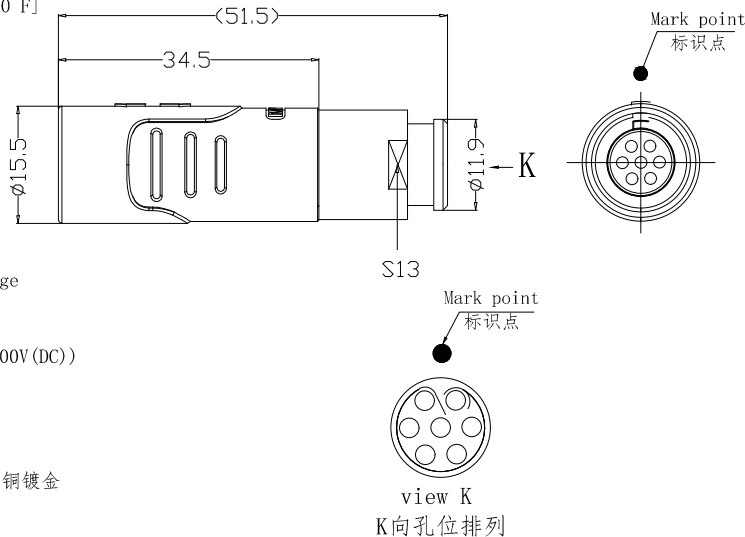
## 2. 电气性能

Insert Configuration/针芯配置: 2BP, 307 7Low Voltage  
 Pin Size/接触件直径:  $\phi 1.3\text{mm}$   
 Contact resistance接触电阻:  $\leq 5\text{m}\Omega$   
 Insulation resistance/绝缘电阻:  $5000\text{M}\Omega$  (测试电压500V(DC))  
 Withstand voltage/耐电压:  $1750\text{V(AC)}$   
 Rated working current额定工作电流:  $11.0\text{A}$

## Other Specification/其它规格:

Contact PIN/接触体: Gold plated Tin bronze/锡青铜镀金  
 Housing Material/外壳材质: PEEK  
 Other Shell Material/其它壳体材质: 铜镀镍  
 Insulator material/绝缘体材料: PPS  
 IP Rating/防护等级: IP50

\*ALL MATERIALS ARE RoHS COMPLIANT/所有材料均符合RoHS要求.



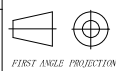
REV/版本	DESCRIPTION/完成内容	DATE/日期	DRAWN BY/绘图

DRAWN BY:  
绘图: P003 2024.05.28  
 CHECKED BY:  
审核: Z01 2024.05.28  
 APPROVED BY:  
核准: P003 2024.05.28



美易连电子科技(深圳)有限公司  
 Meilylian electronic technology (shenzhen) Co., Ltd.

GENERAL TOLERANCE  
 (UNLESS SPECIFIED)  
 $\leq 10 \pm 0.1$   
 $< 10^{\circ} \leq 20 \pm 0.15$   
 $< 20^{\circ} \leq 50 \pm 0.3$   
 Angle  $\pm 1^{\circ}$



FIRST ANGLE PROJECTION  
 REV/版本 A1

单位  
UNIT: mm  
 名称  
PART NAME  
 比例  
SCALE: 1:1  
 型号  
PART NAME  
 SHEET: 1 OF 1

DHG-2BP浮动式插座(带护套式尾帽)  
 DHG-2BP Floating socket  
 (with jacketed tail cap)  
 DHG. 2BP. 307. KWLLD82Z