

1. Product main performance/产品主要性能指标:

Operating Temperature/工作温度: $-55^{\circ}\text{C} \sim 150^{\circ}\text{C}$
 Humidity(max)/最大潮湿: $<=95\%$ [at 60 deg C / 140 F]
 Shielding /屏蔽性能: 75dB(10MHz) 40dB(1GHz)
 Salt Spray Corrosion/盐雾: 96hr

Mechanical data/机械特性:

Vibration/振动: 15g[10Hz~2000Hz]
 Shock Resistance/冲击: 100g[6ms]
 Endurance (Shell)/机械寿命: 5000+

2. 电气性能

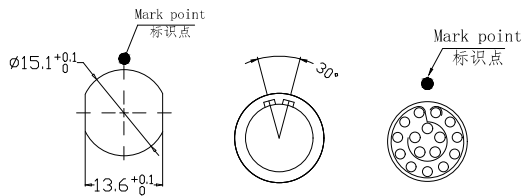
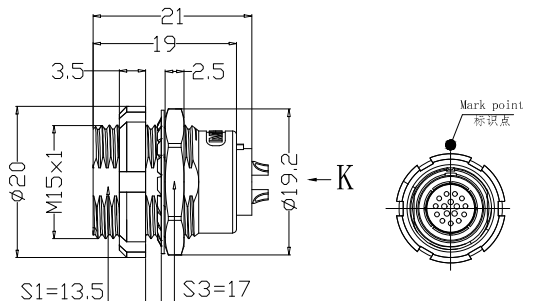
Insert Configuration/针芯配置: 2BP.316 16Low Voltage
 Pin Size/接触件直径: $\varnothing 0.7\text{mm}$
 Contact resistance接触电阻: $\leq 12.5\text{m}\Omega$
 Insulation resistance/绝缘电阻: 5000M Ω (测试电压500V(DC))
 Withstand voltage/耐压: 950V(AC)
 Rated working current额定工作电流: 6.0A

Other Specification/其它规格:

Contact PIN/接触体: Gold plated Tin bronze/锡青铜镀金
 Housing Material/外壳材质: PEEK
 Other Shell Material/其它壳体材质: 铜镀镍
 Insulator material/绝缘体材料: PEEK
 IP Rating/防护等级: IP50

*ALL MATERIALS ARE RoHS COMPLIANT/所有材料均符合RoHS要求.

REV/版本	DESCRIPTION/变更内容	DATE/日期	DRAWN BY/绘图



Panel cut-outs 建议安装开孔尺寸
 Socket front view 插座前视图
 view K K孔位排列

DRAWN BY: 绘图: P003 2024.05.28
 CHECKED BY: 审核: Z01 2024.05.28
 APPROVED BY: 核准: P005 2024.05.28



美易连电子科技(深圳)有限公司
 Meiyilian electronic technology (shenzhen) Co., Ltd.

GENERAL TOLERANCE (UNLESS SPECIFIED) $\leq 10 \pm 0.1$ $< 10^{\circ} \sim 20^{\circ} \pm 0.15$ $> 20^{\circ} \sim 50^{\circ} \pm 0.3$ Angle $\pm 1^{\circ}$	FIRST ANGLE PROJECTION	单位 UNIT: mm 名称 PART NAME: ZCA-2BP 双螺母插座 比例 SCALE: 1:1	ZCA-2BP 双螺母插座 ZCA-2BP Double nut socket
		尺寸 SIZE: A4 型号 PART NAME: ZCA. 2BP. 316. KWKL	
REV/版本	A1	SHEET: 1 OF 1	