

1. Product main performance/产品主要性能指标:

Operating Temperature/工作温度:  $-55^{\circ}\text{C}\sim 150^{\circ}\text{C}$   
 Humidity(max)/最大潮湿:  $<95\%$  [at 60 deg C / 140 F]  
 Shielding /屏蔽性能: 75dB(10MHz) 40dB(1GHz)  
 Salt Spray Corrosion/盐雾: 96hr

Mechanical data/机械特性:

Vibration/振动: 15g[10Hz~2000Hz]  
 Shock Resistance/冲击: 100g[6ms]  
 Endurance (Shell)/机械寿命: 5000+  
 Cable/配接电缆:  $\varnothing 7.1\text{mm}-\varnothing 8.0\text{mm}$

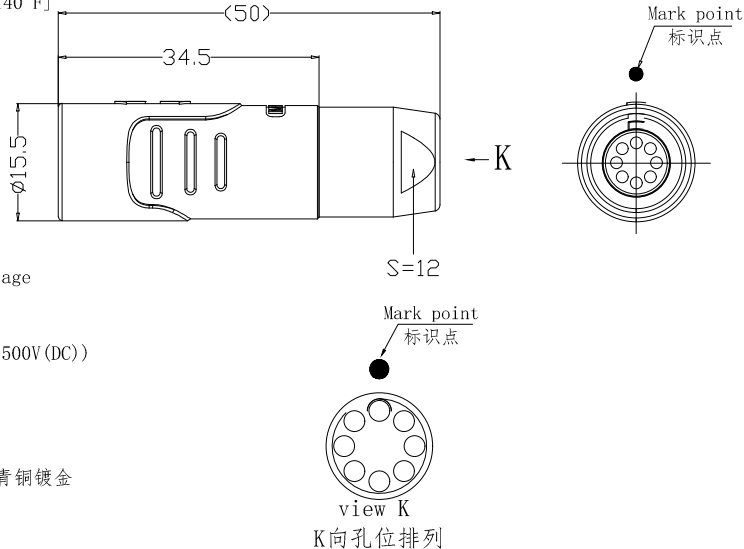
2. 电气性能

Insert Configuration/针芯配置: 2BP, 308 8Low Voltage  
 Pin Size/接触件直径:  $\varnothing 0.9\text{mm}$   
 Contact resistance接触电阻:  $\leq 9\text{m}\Omega$   
 Insulation resistance/绝缘电阻: 5000M $\Omega$  (测试电压500V(DC))  
 Withstand voltage/耐电压: 1500V(AC)  
 Rated working current额定工作电流: 10.0A

Other Specification/其它规格:

Contact PIN/接触体: Gold plated Tin bronze/锡青铜镀金  
 Housing Material/外壳材质: PEEK  
 Other Shell Material/其它壳体材质: 铜镀镍  
 Insulator material/绝缘体材料: PPS  
 IP Rating/防护等级: IP50

\*ALL MATERIALS ARE RoHS COMPLIANT/所有材料均符合RoHS要求.



REV/版本	DESCRIPTION/变更内容	DATE/日期	DRAWN BY/绘图

DRAWN BY: 绘图: P003 2024.05.28  
 CHECKED BY: 审核: Z01 2024.05.28  
 APPROVED BY: 核准: P005 2024.05.28



美易连电子科技(深圳)有限公司  
 Meiyilian electronic technology(shenzhen)Co.,LTD.

GENERAL TOLERANCE (UNLESS SPECIFIED)  
 $\leq 10 \pm 0.1$   
 $< 10^{\circ} \leq 20 \pm 0.15$   
 $< 20^{\circ} \leq 50 \pm 0.3$   
 Angle  $\pm 1^{\circ}$

 FIRST ANGLE PROJECTION	单位 UNIT: mm	名称 PART NAME	DWG-2BP浮动式插座(不带护套式尾帽) DWG-2BP Floating socket (without jacketed tail cap)
	比例 SCALE: 1:1	型号 PART NAME	
REV/版本	A1	DHG, 2BP, 308, KWLLD82	