

1. Product main performance/产品主要性能指标:

Operating Temperature/工作温度:  $-55^{\circ}\text{C} \sim 150^{\circ}\text{C}$   
 Humidity(max)/最大潮湿:  $<95\%$  [at 60 deg C / 140 F]  
 Shielding /屏蔽性能: 75dB(10MHz) 40dB(1GHz)  
 Salt Spray Corrosion/盐雾: 96hr

Mechanical data/机械特性:

Vibration/振动: 15g[10Hz~2000Hz]  
 Shock Resistance/冲击: 100g[6ms]  
 Endurance (Shell)/机械寿命: 5000+

2. 电气性能

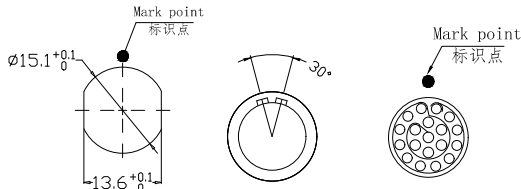
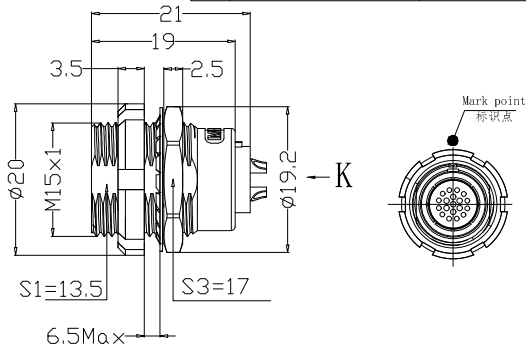
Insert Configuration/针芯配置: 2BP, 319 18Low Voltage  
 Pin Size/接触件直径:  $\phi 0.7\text{mm}$   
 Contact resistance接触电阻:  $\leq 12.5\text{m}\Omega$   
 Insulation resistance/绝缘电阻: 5000M $\Omega$  (测试电压500V(DC))  
 Withstand voltage/耐电压: 950V(AC)  
 Rated working current额定工作电流: 5.0A

Other Specification/其它规格:

Contact PIN/接触体: Gold plated Tin bronze/锡青铜镀金  
 Housing Material/外壳材质: PEEK  
 Other Shell Material/其它壳体材质: 铜镀镍  
 Insulator material/绝缘体材料: PPS  
 IP Rating/防护等级: IP50

\*ALL MATERIALS ARE RoHS COMPLIANT/所有材料均符合RoHS要求.

REV/版本	DESCRIPTION/主要内容	DATE/日期	DRAWN BY/绘图
--------	------------------	---------	-------------



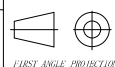
Panel cut-outs 插座前视图 view K  
 建议安装开孔尺寸

DRAWN BY:  
 绘图: PPO3 2024.05.28  
 CHECKED BY:  
 审核: Z01 2024.05.28  
 APPROVED BY:  
 核准: PPO5 2024.05.28



美易连电子科技(深圳)有限公司  
 Meiyilian electronic technology (shenzhen) Co., Ltd.

GENERAL TOLERANCE  
 (UNLESS SPECIFIED)  
 $\leq 10 \pm 0.1$   
 $< 10^{\circ} \sim \leq 50 \pm 0.15$   
 $> 20^{\circ} \sim \leq 50 \pm 0.3$   
 AngLe  $\pm 1^{\circ}$



FIRST ANGLE PROJECTION

单位 UNIT: mm	名称	ZCA-2BP 双螺母插座
比例 SCALE: 1: 1	PART NAME	ZCA-2BP Double nut socket
SIZE: A4	型号	ZCA, 2BP, 319, KWLL
REV/版本	A1	SHEET: 1 OF 1