

1. Product main performance/产品主要性能指标:

Operating Temperature/工作温度: $-55^{\circ}\text{C} \sim 150^{\circ}\text{C}$
 Humidity(max)/最大潮湿: $<=95\%$ [at 60 deg C / 140 F]
 Shielding /屏蔽性能: 75dB(10MHz) 40dB(1GHz)
 Salt Spray Corrosion/盐雾: 96hr

Mechanical data/机械特性:

Vibration/振动: 15g [10Hz~2000Hz]
 Shock Resistance/冲击: 100g [6ms]
 Endurance (Shell)/机械寿命: 5000+

2. 电气性能

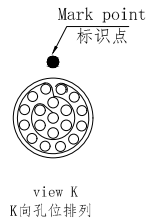
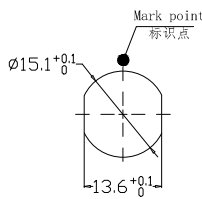
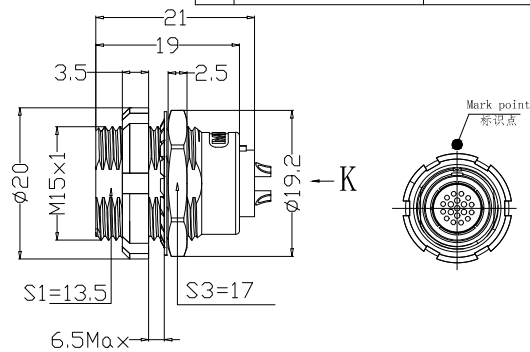
Insert Configuration/针芯配置: 2BP. 319 18Low Voltage
 Pin Size/接触件直径: $\phi 0.7\text{mm}$
 Contact resistance接触电阻: $\leq 12.5\text{m}\Omega$
 Insulation resistance/绝缘电阻: $5000\text{M}\Omega$ (测试电压500V(DC))
 Withstand voltage/耐电压: 950V (AC)
 Rated working current额定工作电流: 5.0A


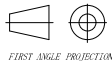
Other Specification/其它规格:

Contact PIN/接触体: Gold plated Tin bronze/锡青铜镀金
 Housing Material/外壳材质: PEEK
 Other Shell Material/其它壳体材质: 铜镀镍
 Insulator material/绝缘体材料: PPS
 IP Rating/防护等级: IP50

*ALL MATERIALS ARE RoHS COMPLIANT/所有材料均符合RoHS要求.

REV/版本	DESCRIPTION/变更内容	DATE/日期	DRWIN BY/制图
--------	------------------	---------	-------------



DRAWN BY: 绘图: PDK3 2024.05.28 CHECKED BY: 审核: Z01 2024.05.28 APPROVED BY: 核准: PDK5 2024.05.28		 美易连电子科技(深圳)有限公司 Meiyilian electronic technology (shenzhen) Co., Ltd.	
GENERAL TOLERANCE (UNLESS SPECIFIED) $\leq 10 \pm 0.1$ $< 10^{\circ} \leq 20 \pm 0.15$ $< 20^{\circ} \leq 50 \pm 0.3$ Angle $\pm 1^{\circ}$			
 FIRST ANGLE PROJECTION		比例 SCALE: 1: 1 型号 PART NAME: ZCG. 2BP. 319. KWLL	
REV/版本	AI	SHEET: 1 OF 1	