

## 1. Product main performance/产品主要性能指标:

Operating Temperature/工作温度 : -55℃~150℃

Humidity(max)/最大潮湿 : <=95% [at 60 deg C / 140 F]

Shielding /屏蔽性能 : 75dB(10MHz) 40dB(1GHz)

Salt Spray Corrosion/盐雾 : 96hr

### Mechanical data/机械特性:

Vibration/振动 : 15g[10Hz~2000Hz]

Shock Resistance/冲击 : 100g[6ms]

Endurance (Shell)/机械寿命 : 5000+

## 2. 电气性能

Insert Configuration/针芯配置:2BP.306 6Low Voltage

Pin Size/接触件直径:φ1.3mm

Contact resistance接触电阻:≤5mΩ

Insulation resistance/绝缘电阻:5000MΩ (测试电压500V(DC))

Withstand voltage/耐电压:1350V(AC)

Rated working current额定工作电流:12.0A

### Other Specification/其它规格:

Contact PIN/接触体 : Gold plated Tin bronze/锡青铜镀金

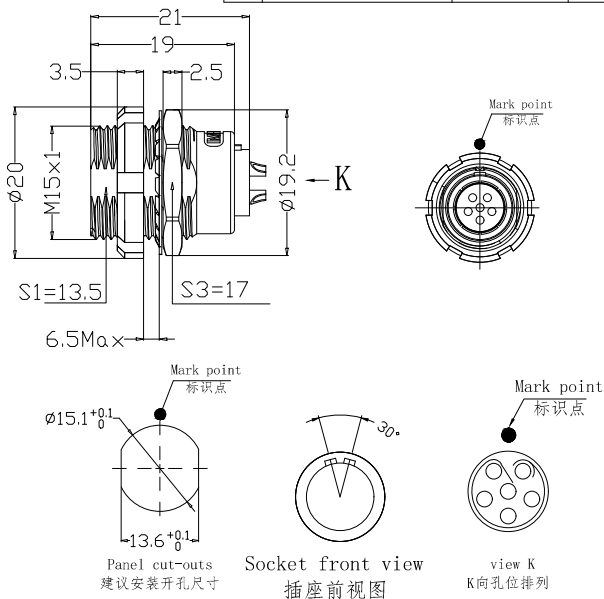
Housing Material/外壳材质 : PEEK


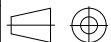
Other Shell Material/其它壳体材质: 铜电镀

Insulator material/绝缘体材料: PPS

IP Rating/防护等级 : IP50

\*ALL MATERIALS ARE RoHS COMPLIANT/所有材料均符合RoHS要求.



DRAWN BY: 绘图:PD03 2024.05.28 CHECKED BY: 审核:Z01 2024.05.28 APPROVED BY: 核准:PD03 2024.05.28	 美易连电子科技(深圳)有限公司 MeiYiLian electronic technology(shenzhen)Co.,Ltd.		
GENERAL TOLERANCE (UNLESS SPECIFIED) ≤10 ±0.1 <10~≤20 ±0.15 >20~≤50 ±0.3 Angle ±1°	 FIRST ANGLE PROJECTION	单位 UNIT: mm 名称 PART NAME ZCA-2BP 双螺母插座 ZCA-2BP Double nut socket	
	比例 SCALE: 1:1 尺寸 SIZE: A4 型号 PART NAME ZCA. 2BP. 306. KWLL	REV/版本 A1 SHEET: 1 OF 1	