

1. Product main performance/产品主要性能指标:

Operating Temperature/工作温度:  $-55^{\circ}\text{C} \sim 150^{\circ}\text{C}$   
 Humidity(max)/最大潮湿:  $\leq 95\%$  [at  $60 \text{ deg C} / 140 \text{ F}$ ]  
 Shielding /屏蔽性能: 75dB(10MHz) 40dB(1GHz)  
 Salt Spray Corrosion/盐雾: 96hr

Mechanical data/机械特性:

Vibration/振动:  $15\text{g}[10\text{Hz} \sim 2000\text{Hz}]$   
 Shock Resistance/冲击:  $100\text{g}[6\text{ms}]$   
 Endurance (Shell)/机械寿命: 5000+

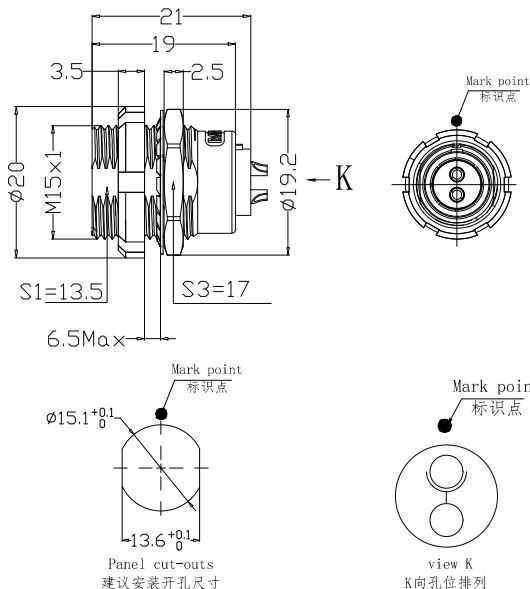
2. 电气性能


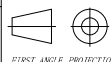
Insert Configuration/针芯配置: 2BP.302 2Low Voltage  
 Pin Size/接触件直径:  $\phi 2.0\text{mm}$   
 Contact resistance接触电阻:  $\leq 3.5\text{m}\Omega$   
 Insulation resistance/绝缘电阻:  $5000\text{M}\Omega$  (测试电压500V(DC))  
 Withstand voltage/耐电压: 2100V(AC)  
 Rated working current额定工作电流: 30.0A

Other Specification/其它规格:

Contact PIN/接触体: Gold plated Tin bronze/锡青铜镀金  
 Housing Material/外壳材质: PEEK  
 Other Shell Material/其它壳体材质: 铜镀镍  
 Insulator material/绝缘体材料: PPS  
 IP Rating/防护等级: IP50  
 \*ALL MATERIALS ARE RoHS COMPLIANT/所有材料均符合RoHS要求.

| REV/版本 | DESCRIPTION/变更内容 | DATE/日期 | DRAWN BY/绘制 |
|--------|------------------|---------|-------------|
|        |                  |         |             |



|  |  |   |
|--|--|---|
| DRAWN BY:<br>绘图: P003 2024.05.28<br>CHECKED BY:<br>审核: Z01 2024.05.28<br>APPROVED BY:<br>核准: P005 2024.05.28   |  美易连电子科技(深圳)有限公司<br>Meiyilian electronic technology(shenzhen)Co.,Ltd. | 单位<br>UNIT: mm<br>比例<br>SCALE: 1:1<br>名称<br>PART NAME<br>ZCG-2BP 双螺母插座<br>ZCG-2BP Double nut socket |
| GENERAL TOLERANCE<br>(UNLESS SPECIFIED)<br>$\leq 10 \pm 0.1$<br>$< 10^{\circ} \sim 20^{\circ} \pm 0.15$<br>$< 20^{\circ} \sim 50^{\circ} \pm 0.3$<br>Angle $\pm 1^{\circ}$ |  FIRST ANGLE PROJECTION   | 尺寸<br>SIZE: A4<br>型号<br>PART NAME<br>ZCG. 2BP. 302. KWLL  |
| REV/版本<br>A1   | SHEET: 1 OF 1  | 网址<br>URL: <a href="https://www.mylconnector.com/">https://www.mylconnector.com/</a>                |